

E310

HIGH-PERFORMANCE BLENDER

EXPLORIAN SERIES

VM0197



SYMBOLS

	Warning and Caution
	NEVER touch moving parts. Keep hands and utensils out of the container
	Electric Shock Hazard
	High temperature when blending hot liquids
	Unplug while not in use, before cleaning, changing accessories or touching parts that move while the blender is in use
	Operate with the lid and lid plug in place
	Read and understand owner's manual
	DO NOT immerse
	Parts will become hot with extended use. DO NOT touch the drive socket in the blender base or the drive spline in the blade base
	DO NOT use your 20 ounce (0.6 L) cup to heat ingredients or to blend hot liquids.
	DO NOT use the cups (including the blade base or lids) in the microwave.
	On/Off
	Pulse

SPECIFICATIONS

Voltage:	120 V	Height (with 48 oz. container on base): 18 inches
Frequency:	50 - 60 Hz	Width: 8 inches
Amps:	12 Amps	Depth: 11 inches



Start Your Adventure

vitamix.com

IMPORTANT SAFEGUARDS



WARNING: To avoid the risk of serious injury when using your Vitamix® blender, basic safety precautions should be followed, including the following. READ ALL INSTRUCTIONS, SAFEGUARDS, AND WARNINGS BEFORE OPERATING BLENDER.

1. Read all instructions.
2. Do not use blender for other than intended use.
3. Not intended for use by or near children or persons with reduced physical, sensory, or mental capabilities or lack of experience and knowledge. Close supervision is necessary when any blender is used by or near children or incapacitated persons. Children should be supervised to ensure that they do not play with the blender.
4. **WARNING:** To avoid inadvertent activation, turn off and unplug before cleaning.
5. **CAUTION:** In order to avoid a hazard due to inadvertent resetting of the thermal cut-out, power to this blender must not be supplied through an external switching device, such as a timer, or connected to a circuit that is regularly switched on and off by the utility.
6. To protect against risk of electrical shock, do not put the blender base in water or other liquid.
7. Unplug from outlet when not in use, before putting on or taking off parts, and before cleaning.
8. Always check that the blender is OFF before plugging cord into wall outlet. To disconnect, turn OFF the blender, then remove plug from wall outlet.
9. Avoid contacting moving parts.
10. Do not operate any blender with a damaged cord or plug or after the blender malfunctions, or is dropped or damaged in any manner. Call Vitamix Customer Service at 1.800.848.2649 or 1.440.235.4840 or email service@vitamix.com at once for examination, repair, replacement, or adjustment. If purchased outside the U.S.A. or Canada, contact your local Vitamix dealer.
11. GFI circuit breakers might be installed in your kitchen. Look for them in outlets near sinks. If the blender won't operate, unplug the blender. Reset the wall outlet or circuit breaker. If the circuit breaker continues to trip, unplug the blender from the outlet. Allow the blender to sit for 24 hours before attempting to use it again. Contact Vitamix Customer Service if the problem persists.
12. Alteration or modification of any part of the blender, including the use of any part or parts that are not genuine authorized Vitamix parts, may cause fire, electric shock, or injury and will void your warranty.
13. The use of attachments not expressly authorized or sold by Vitamix for use with this blender, including canning jars, may cause fire, electric shock, or injury. Use in this way will void your warranty.
14. Do not use outdoors.
15. Do not let cord hang over edge of table or counter.
16. Do not place on or near a hot gas or electric burner, in or on a heated oven.
17. Keep hands and utensils out of container while blending to reduce the risk of severe injury to persons or damage to the blender. A rubber scraper or spatula may be used, but only when the blender is not running.
18. The tamper provided must be used only when the main part of the lid is in place.
19. Blades are sharp. Clean around the blade assembly in the container with extreme care to avoid injury.
20. To reduce the risk of injury, never place a blade assembly on the motor base unless assembled to the Vitamix container.
21. Care should be taken when handling the sharp cutting blades, emptying the container and during cleaning.
22. Do not leave foreign objects, such as spoons, forks, knives or the lid plug, in the container as this will damage the blades and other components when starting the blender and may cause injury.
23. Never attempt to operate with damaged blades.
24. Never attempt to operate with the centering pad removed.
25. Always operate blender with lid and lid plug firmly in place. DO NOT remove 2-part lid while blades are rotating. Only remove the lid plug to add ingredients and to use the tamper.
26. When blending hot liquids or ingredients in the 48 oz. container, use caution; spray or escaping steam may cause burns. Do not fill container to the maximum capacity. Always begin processing on the lowest speed setting, variable speed 1. Keep hands and other exposed skin away from lid opening to prevent possible burns.
27. DO NOT use your 20 ounce cup to heat ingredients or to blend hot liquids. Heated ingredients and liquids may create internal pressure which could cause the cup to burst and cause injury.
28. DO NOT continuously use your machine for more than 75 seconds with the 20 ounce cup.
29. If a cup becomes warm to the touch or steams or vents, immediately stop blending ingredients and turn off or unplug blender. Allow the cup and ingredients to cool to room temperature before removing the blade base.
30. When making nut butters or oil-based foods, do not process for more than one minute after the mixture starts to circulate in the container. Processing for longer periods can cause overheating.
31. Make sure that the container or cup and personal cup adapter are flush with the centering pad to ensure that the drive spline is engaged with the drive socket before operating.
32. Make sure to use the seal on the blade base and tighten the cup adequately to the blade base before blending.
33. Never place the personal cup adapter onto the blade base without the cup attached.

SAVE THESE INSTRUCTIONS

WARNING



To Avoid Injury.

Read and understand instruction manual before using this machine.



IMPORTANT INSTRUCTIONS FOR SAFE USE

This product is intended for HOUSEHOLD USE ONLY and is not intended to be used for commercial purposes.

Do not leave your Vitamix blender unattended when operating.

Any repair, servicing, or replacement of parts must be performed by Vitamix or a Vitamix authorized service representative.

NOTICE: THE FAILURE TO FOLLOW ANY OF THE IMPORTANT SAFEGUARDS AND IMPORTANT INSTRUCTIONS FOR SAFE USE IS A MISUSE OF YOUR VITAMIX BLENDER THAT CAN VOID YOUR WARRANTY AND CREATE THE RISK OF SERIOUS INJURY.

⚠ WARNING



Use grounded outlet only.

DO NOT remove ground.

DO NOT use an adapter.

DO NOT use an extension cord.

Always unplug before cleaning the motor base or when not in use.

Do not put the motor base in water or other liquid.

Failure to follow instructions can cause death or electrical shock.



PARTS AND FEATURES

Legacy Vitamix Containers - Legacy (C Series and G Series) containers will work with your Explorian blender base. A 20 ounce cup can be used when paired with the Vitamix Personal Cup Adapter. Vitamix Self-Detect containers will not work with the Explorian Blender. Visit vitamix.com for details.

Lid, Lid Plug and Tamper

- Always use the lid and the lid plug when operating the blender.
- Never operate the blender without checking to make sure that the lid is securely locked in place.
- The lid plug is marked so it can be used as a measuring cup.
- Insert the lid plug through the lid plug opening. Lock the plug in place by turning clockwise. To remove, turn counter-clockwise and lift out.
- Remove the lid plug to use the tamper or to add ingredients.

Blade Scraper - See Appendix 1 - Accessories

Tamper Holder - See Appendix 1 - Accessories

Motor - The motor is designed to protect itself from overheating. If the blender will not start immediately check to make sure you have plugged the unit in and the On/Off switch is On. If the motor has overheated, allow the motor to cool for 20-45 minutes.

Tips to prevent 'overloading' your blender:

- Process only Vitamix recipes when learning to use the blender.
- Do not process recipes at lower or higher speeds than recommended.
- Do not process recipes for longer than recommended.
- Use your tamper to process thicker mixtures and keep ingredients moving around and through the blades.



IMPORTANT! KNOW YOUR VITAMIX CONTAINER, LID AND TAMPER

CAUTION



Rotating Blades Can Cause Damage.

Lids and tampers are not interchangeable between different container styles, types and sizes. Use the tamper that was supplied with your blender.

Note: Vitamix Self-Detect containers will not work with the Explorian Blender.

Lids and tampers are not interchangeable between different container styles, types and sizes. Use the tamper and lid that was supplied with your blender.

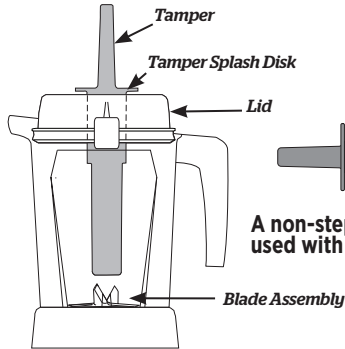
How to Determine the Tamper to be Used with Your Container

Before using a tamper during the blending, verify that you have the correct tamper. Only use the tamper with the lid securely locked in place and the lid plug removed. **If a tamper came with your blender at purchase, it is the correct tamper to use.** If a tamper did not come with your blender or you want to determine if a tamper that you already have can be used with your new container, please use these steps and illustrations to determine what tamper to use.

1. Place the lid on an empty container.
2. Remove the lid plug and insert the tamper through the lid plug opening. The tamper should fit easily into the opening. It should not come into contact with the blades no matter where you move the tamper inside the container.
3. Visually inspect: **IF THE TAMPER TOUCHES THE BLADES AT ANY ANGLE, DO NOT USE THE TAMPER WITH YOUR CONTAINER.**
4. If you do not have the correct tamper for your container, contact Vitamix Household Customer Service at 1.800.848.2649 or 1.440.235.4840.

48 oz. / 1,4 L

The 48 oz. (1.4 L) and 32 oz. (0.9 L) Containers use a tamper which is approximately 9- $\frac{3}{4}$ in. long.

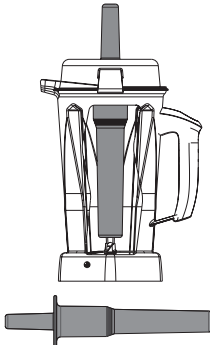


A non-step tamper MUST NOT be used with any Vitamix container.

OTHER VITAMIX CONTAINERS AND TAMPERS

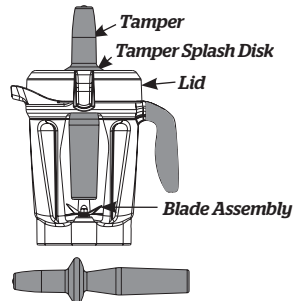
64 oz. / 2,0 L (TALL)

The 64 oz. / 2 L **Tall** Container uses a tamper which is approximately 12- $\frac{1}{2}$ in. long.



64 oz. / 2,0 L (SHORT)

The 64 oz. / 2 L **Short** (or Low Profile) Container uses a tamper which is approximately 11 inches long.



CONTROL PANEL

On /Off (I/O) Switch - The On/Off switch controls power to the machine.

Variable Speed Dial - The Variable Speed Dial gives you manual control from Variable 1 (slowest) to 10 (highest).

Pulse (⏏) - The blades will rotate at the speed displayed on the control panel when pressed.



BLENDING

Note: The 20 ounce cup mentioned here are optional accessories of the Explorian Blenders when used with a Vitamix Personal Cup Adapter. Please visit vitamix.com for more information. Refer to the Personal Cup Adapter Owner's Manual for usage details.

⚠ WARNING



To Avoid Possible Burns, Never Start on Speeds Above 1 when Processing Hot Liquids in a Large Container.

Escaping steam, splashes or contents may burn. Always start on Variable 1, then slowly increase to 10.



DO NOT use your 20 ounce cup to heat ingredients or to blend hot liquids. Heated ingredients and liquids may create internal pressure which could cause the cup to burst and cause injury.

DO NOT continuously use your machine for more than 2 minutes with the 20 ounce cup and Personal Cup Adapter.



If a cup becomes warm to the touch or steams or vents, immediately stop blending ingredients and turn off or unplug blender. Allow the cup and ingredients to cool to room temperature before removing the blade base.



Parts will become hot with extended use.

DO NOT touch the drive socket in the blender base or the drive spline in the Personal Cup Adapter.

To avoid damage or personal injury, **DO NOT use the cups (including the blade base or lids) in the microwave.**



1. Load your container according to your recipe (liquids first, then dry goods, leafy greens, fruit & veggies and finally ice and frozen ingredients).

IMPORTANT! Always use the lid and the lid plug on the Large Container when the machine is in operation. Never operate the blender without checking to make sure that the lid and lid plug are securely locked in place.

2. Push the lid down into place until the two tabs snap onto the lip of the container. Insert the lid plug. Turn the lid plug clockwise to lock.
3. Put the container onto the base.
4. Look at the variable speed dial. Make sure it is pointing to Variable speed 1. Press On/Off to start the machine. The blades will begin to turn.
5. Rotate the Variable Speed Dial between 1 and 10 during the blending cycle to increase or decrease the speed of the blades.
6. At the end of the blend, rotate the Variable Speed Dial counter-clockwise to Variable Speed 1. Press On/Off.

7. If the mixture stops circulating, insert the tamper through the lid plug and stir until it 'burps'. If this does not work, press the On/Off switch to stop the motor. Remove the container from the blender base and use a rubber spatula to press the air bubble away from the blades. Add liquid if necessary. Replace the lid and lid plug. Return the container to the blender base and continue blending.
8. After blending, wait until the blades completely stop before removing the lid or container from the blender base.

Tips to prevent 'overloading' your blender:

- Process only Vitamix recipes when learning to use the blender.
- Do not process recipes at lower or higher speeds than recommended.
- Do not process recipes for longer than recommended.
- Use your tamper to process thicker mixtures and keep ingredients moving around and through the blades.

How to use the Tamper:

IMPORTANT! The splash disk (near the top of the tamper) and lid prevent the tamper from hitting the blades when the lid is secured properly in the locked position.

- The container should not be more than two-thirds full when the tamper is used during blending.
- To avoid overheating during blending, DO NOT use the tamper for more than 30 consecutive seconds.
- If the food does not circulate, the blender may have trapped an air bubble. Carefully remove the lid plug, while making sure the lid stays firmly in place. Release the air bubble by inserting the tamper through the lid plug opening.
- Holding the tamper straight down may not help the ingredients circulate. If necessary, point the tamper towards the sides or corners of the container. DO NOT try to force the tamper deeper into the container.

CARE AND CLEANING

BEFORE FIRST USE:

1. Wipe the base with a warm damp cloth and wipe clean with a dry, soft cloth. Wash the container, lid, lid plug, and tamper with warm, soapy water. Rinse all parts. Wipe dry with a dry, soft cloth.
2. Choose a space on the counter that is level, dry and clean. Plug the blender into a grounded, 3-prong outlet.

Note: Your Vitamix container is designed to be completely cleanable without removing the retainer nut and blade assembly. DO NOT attempt to remove the retainer nut or blade assembly from the container. Our Normal Cleaning and Sanitizing procedures or a dishwasher cleaning cycle will ensure a complete and thorough cleaning of your container and it's components. If your container is damaged, please do not use. Contact Vitamix Customer Service IMMEDIATELY for assistance.

Follow these instructions if you prefer not to wash your container in the dishwasher.

To Clean the 48 oz. Container:

1. Fill the container half full with warm water and add a couple of drops of dishwashing liquid.
2. Snap or push the complete 2-Part lid into the locked position.
3. Press Start / Stop. Slowly increase variable speed to 10.
4. Run the machine for 30 to 60 seconds.
5. Rotate the Variable Speed dial back to Variable 1. Press Start/Stop.
6. Rinse and drain all pieces.

To Sanitize the 48 oz. Container using Bleach:

1. Follow the cleaning instructions above.
2. Fill the container half full with water and 1½ teaspoons of liquid bleach.
3. Snap or push the complete 2-part lid into the locked position.
4. Rotate the dial clockwise to Variable Speed 1.
5. Press Start / Stop. Slowly increase variable speed to 10.
6. Run the machine for 30 to 60 seconds.
7. Rotate the Variable Speed dial back to Variable 1. Press Start/Stop.
8. Allow mixture to stand in the container for an additional 1½ minutes.
9. Pour bleach mixture out. Allow container to air dry. Do not rinse after sanitizing.

To Sanitize the 48 oz. Container using Vinegar:

1. Follow the cleaning instructions above.
2. Prepare the vinegar solution: for the 48 oz container, dilute 16oz. (473 ml) of vinegar in 16oz (473ml) water.
3. Snap or push the complete 2-part lid into the locked position.
4. Begin with Variable Speed 1 on the display. Press Start/Stop.
5. Slowly increase variable speed to 10.
6. Run the machine on variable speed 10 for 2 full minutes.
7. Rotate the Variable Speed dial back to Variable Speed 1. Press Start/Stop.
8. Allow mixture to stand in the container for an additional 3 full minutes. Total contact time of the vinegar solution in the container should equal 5 minutes.
9. Pour vinegar solution out of container over inside surface of 2-part lid. Repeat sanitization procedure a second time (steps 2-9).
10. Allow container and lid to air dry. Do not rinse after sanitizing. If necessary, rinse immediately before next use.
11. Pour bleach mixture out. Allow container to air dry. Do not rinse after sanitizing.

Lids, Lid Plug, Centering Pad, Tamper, Tamper Holder and Blade Scraper

All parts listed above are dishwasher safe. If preferred, wash the parts in warm soapy water. Rinse clean under running water, then dry.

Blender Base

1. Turn off and unplug the blender.

⚠ WARNING



To Avoid Injury and Damage.

To avoid inadvertent activation, turn off and unplug the blender before cleaning.

⚠ WARNING



Electrical Shock Hazard.

Always unplug before cleaning the blender base or when not in use.

Do not put the blender base in water or other liquid.

Failure to follow instructions can cause death or electrical shock.

2. Wash the outside surface with a damp, soft cloth or sponge that has been rinsed in a mild solution of liquid dish soap and warm water. Do not place the blender base in water. The centering pad can be removed for more thorough cleaning. The centering pad is dishwasher safe.
3. Immediately dry all surfaces and polish with a soft cloth.

WARRANTY AND SERVICE

5-Year Full Machine Warranty

1. PRODUCT REGISTRATION.

You can register online at vitamix.com/warranty; or by calling our Customer Service Department at 1.800.848.2649 or 1.440.235.4840. Failure to register your product purchase will not diminish your warranty rights. However, registering your purchase will allow Vitamix to better serve you with any of your customer service needs.

2. WHO CAN SEEK WARRANTY COVERAGE.

This Warranty is extended by Vitamix to the owner of this Blender for personal household use only. This Warranty does not apply to products used for commercial, rental or re-sale purposes. Should ownership of the blender change during the 5-year period, please update the Blender's owner information at vitamix.com.

3. WHAT IS COVERED.

Vitamix warrants to the owner that if this Blender (**a "Blender" consists of a motor blender base, any container(s), lids and tamper(s) purchased together**) fails within 5 years from the date of purchase due to a defect in material or workmanship or as a result of normal wear and tear from ordinary household use, Vitamix will, within 30 days of receipt of the returned blender, repair the failed Blender or component part of the Blender free of charge.

If, in Vitamix's sole discretion, the failed Blender or component part of the Blender cannot be repaired, Vitamix will elect to either (A) replace the Blender free of charge or (B) refund the full purchase price to the owner, unless Vitamix receives prior written notice of the owner's preference.

4. WHAT IS NOT COVERED.

This Warranty does not apply to Blenders used commercially or in non-household applications. This Warranty does not cover cosmetic changes that do not affect performance, such as discoloration or the effects of the use of abrasives or cleaners or food build up. This Warranty is only valid if the Blender is used and maintained in accordance with the instructions, warnings and safeguards contained in the owner's manual.

Containers: Grinding certain herbs and spices in the container/cup will result in cosmetic marring of the container/cup and may cause the blades to wear prematurely. Traces of sand, coarse gritty and abrasive herbs will also cause the blades to wear prematurely. Herbs may contain volatile oils, cause the container/cup to retain the oils and cause permanent discoloration. Your container/cup and blades are not covered under the Vitamix warranty under these circumstances.

Vitamix will not be responsible for the cost of any unauthorized warranty repairs.

REPAIR, REPLACEMENT OR REFUND OF THE PURCHASE PRICE ARE THE EXCLUSIVE REMEDIES OF PURCHASER AND THE SOLE LIABILITY OF VITAMIX UNDER THIS WARRANTY. NO EMPLOYEE OR REPRESENTATIVE OF VITAMIX IS AUTHORIZED TO MAKE ANY ADDITIONAL WARRANTY OR ANY MODIFICATION TO THIS WARRANTY WHICH MAY BE BINDING UPON VITAMIX. ACCORDINGLY, PURCHASER SHOULD NOT RELY UPON ANY ADDITIONAL STATEMENTS MADE BY ANY EMPLOYEE OR REPRESENTATIVE OF VITAMIX. IN NO EVENT, WHETHER BASED ON CONTRACT, INDEMNITY, WARRANTY, TORT (INCLUDING NEGLIGENCE), STRICT LIABILITY OR OTHERWISE, SHALL VITAMIX BE LIABLE FOR ANY SPECIAL, INDIRECT, INCIDENTAL OR CONSEQUENTIAL DAMAGES, INCLUDING, WITHOUT LIMITATION, LOSS OF PROFIT OR REVENUE.

Some states do not allow limits on warranties. In such states, the above limitations may not apply to you. Outside the U.S.A. and Canada, other warranties may apply.

5. WHAT VOIDS THIS WARRANTY.

Abuse, misuse, negligent use, alteration of the Blender, exposure to abnormal or extreme conditions, or failure to follow the operating instructions in this manual will void this Warranty.

The Warranty is also void if repairs to the Blender or any component part of the Blender are performed by someone other than either Vitamix or an authorized Vitamix Service Provider or if any component part of a Blender subject to this Warranty is used in combination with a motor base or container that is not expressly authorized by Vitamix.

6. HOW TO OBTAIN RETURN AUTHORIZATION UNDER THIS WARRANTY.

In the event that you need service or repair, please call Vitamix Customer Service at 1.800.848.2649 or 1.440.235.4840. You will be asked to provide a date of purchase and proof of purchase for any blender that has not been registered with Vitamix. For blenders subject to this Warranty you will be provided with a return authorization number, up-to-date shipping instructions and a pre-paid return pick up label. Vitamix will pay standard shipping costs on the return of a Blender for warranty service and repair and for return shipment of the blender to you after the warranty repair or replacement. Purchaser is responsible for the costs of special shipping requests.

Within the U.S.A. and Canada, this Warranty is honored directly through the Vita-Mix Corporation.

United States

Vita-Mix Corporation
8615 Usher Road
Cleveland, Ohio 44138-2199
1-800-848-2649
service@vitamix.com

Canada

Vita-Mix Corporation
200-1701 Shepherd Street East
Windsor, Ontario N8Y 4Y5
1-800-848-2649
service@vitamix.com

You will be deemed to have accepted the returned product "as is" upon delivery unless you notify Vitamix of any problem, including shipment damage, within 48 hours of delivery.

APPENDIX 1 - ACCESSORIES

Accessories

The following accessories are available to use with the Explorian model and other Vitamix Legacy blenders.

1. Personal Cup and Adapter
2. Tamper Holder
3. Blade Scraper

TAMPER HOLDER USE AND CARE INSTRUCTIONS

Note: When properly installed, the tamper holder will not interfere with blender operation. The tamper holder can be installed on the left or right side of the motor base.

1. Clean the parts by hand with warm, soapy water or in the top rack in the dishwasher before assembling.
2. Choose a side of the motor base to install the tamper holder.
3. Lift up the blender base. Put the tamper holder base onto the blender frame. Lower the blender base back onto the work surface or counter. Put the tamper holder cup onto the tamper holder base. Twist the tamper holder cup clockwise to lock into place.
4. Make sure the blender is sitting flat and steady (no rocking side to side) before blending. When installed properly, the inside flat surface of the tamper holder cup will sit flush with the side of the blender (See photo).
5. Remove the tamper holder from the blender regularly to clean. To remove the tamper holder cup, rotate the cup counter-clockwise.
6. To remove the base, lift up on the motor base and remove the tamper holder base.



BLADE SCRAPER USE AND CARE INSTRUCTIONS

IMPORTANT!



Keep hands and utensils out of container while blending to reduce the risk of severe injury to persons or damage to the blender. A rubber scraper, spatula or blade scraper may be used, but only when the blender is not running and after the container has been removed from the motor base.



Do not leave foreign objects, such as spoons, forks, knives, scrapers, spatulas or the lid plug, in the container as this will damage the blades and other components when starting the blender and may cause injury.



1. Clean the parts by hand with warm, soapy water or in the top rack in the dishwasher before use.
2. Use the blade scraper to remove thick ingredients like jam and peanut butter from under the blades only after the container has been removed from the motor base.

ACCESSORY WARRANTY

1-Year Accessory Warranty

1. WHAT IS COVERED

Vita-Mix Corporation (“Vitamix”) warrants that the accessory (tamper holder, blade scraper) will be free from defects in material or workmanship and will withstand wear and tear from ordinary household use for 1 year from the date of purchase. Vitamix will, within 30 days of receipt of the returned product, repair the failed Accessory free of charge. If, in Vitamix’s sole discretion, the failed Container or Container Component cannot be repaired, Vitamix will elect to either (A) replace the Accessory free of charge or (B) refund the full purchase price to the owner, unless Vitamix receives prior written notice of the owner’s preference.

2. WHO CAN SEEK WARRANTY COVERAGE.

This Warranty is extended by Vitamix to the owner of this Accessory for personal household use only. This Warranty does not apply to products used for commercial, rental or re-sale purposes.

3. WHAT IS COVERED.

Vitamix warrants to the owner that if this **Accessory** fails within 1 years from the date of purchase due to a defect in material or workmanship or as a result of normal wear and tear from ordinary household use, Vitamix will, within 30 days of receipt of the returned Accessory, repair the failed Accessory or component part free of charge.

If, in Vitamix’s sole discretion, the failed Accessory cannot be repaired, Vitamix will elect to either (A) replace the Accessory free of charge or (B) refund the full purchase price to the owner, unless Vitamix receives prior written notice of the owner’s preference.

4. WHAT IS NOT COVERED.

This Warranty does not apply to Accessory used commercially or in non-household applications. This Warranty does not cover cosmetic changes that do not affect performance, such as discoloration or the effects of the use of abrasives or cleaners or food build up. This Warranty is only valid if the Accessory is used and maintained in accordance with the instructions, warnings and safeguards contained in the owner’s manual.

Vitamix will not be responsible for the cost of any unauthorized warranty repairs.

REPAIR, REPLACEMENT OR REFUND OF THE PURCHASE PRICE ARE THE EXCLUSIVE REMEDIES OF PURCHASER AND THE SOLE LIABILITY OF VITAMIX UNDER THIS WARRANTY. NO EMPLOYEE OR REPRESENTATIVE OF VITAMIX IS AUTHORIZED TO MAKE ANY ADDITIONAL WARRANTY OR ANY MODIFICATION TO THIS WARRANTY WHICH MAY BE BINDING UPON VITAMIX. ACCORDINGLY, PURCHASER SHOULD NOT RELY UPON ANY ADDITIONAL STATEMENTS MADE BY ANY EMPLOYEE OR REPRESENTATIVE OF VITAMIX. IN NO EVENT, WHETHER BASED ON CONTRACT, INDEMNITY, WARRANTY, TORT (INCLUDING NEGLIGENCE), STRICT LIABILITY OR OTHERWISE, SHALL VITAMIX BE LIABLE FOR ANY SPECIAL, INDIRECT, INCIDENTAL OR CONSEQUENTIAL DAMAGES, INCLUDING, WITHOUT LIMITATION, LOSS OF PROFIT OR REVENUE.

Some states do not allow limits on warranties. In such states, the above limitations may not apply to you. Outside the U.S.A. and Canada, other warranties may apply.

5. WHAT VOIDS THIS WARRANTY.

Abuse, misuse, negligent use, alteration of the Accessory, exposure to abnormal or extreme conditions, or failure to follow the operating instructions in this manual will void this Warranty.

The Warranty is also void if repairs to the Accessory are performed by someone other than either Vitamix or an authorized Vitamix Service Provider or if any component part of a Blender subject to this Warranty is used in combination with a blender base or container that is not expressly authorized by Vitamix.

6. HOW TO OBTAIN RETURN AUTHORIZATION UNDER THIS WARRANTY.

In the event that you need service or repair, please call Vitamix Customer Service at 1.800.848.2649 or 1.440.235.4840.

Within the U.S.A. and Canada, this Warranty is honored directly through the Vita-Mix Corporation.

United States

Vita-Mix Corporation
8615 Usher Road
Cleveland, Ohio 44138-2199
1-800-848-2649
service@vitamix.com

Canada

Vita-Mix Corporation
200-1701 Shepherd Street East
Windsor, Ontario N8Y 4Y5
1-800-848-2649
service@vitamix.com

You will be deemed to have accepted the returned product “as is” upon delivery unless you notify Vitamix of any problem, including shipment damage, within 48 hours of delivery.

When applicable:



©2017 Vita-Mix Corporation. No part of this publication may be reproduced or transmitted in any form or by any means, or stored in a database or retrieval system, without the written permission of Vita-Mix Corporation.

E310

MÉLANGEUR À HAUTE PERFORMANCE

EXPLORIAN SERIES

VM0197



SYMBOLES

	Avertissement et mise en garde
	Ne JAMAIS toucher les pièces mobiles. Garder les mains et les ustensiles hors du récipient.
	Risque de décharge électrique
	Température élevée lors du mélange de liquides chauds
	Débrancher l'appareil lorsqu'il n'est pas utilisé, avant le nettoyage, avant de changer des accessoires ou avant de toucher des pièces qui se mettent en mouvement lorsque le mélangeur fonctionne.
	Utiliser l'appareil lorsque le couvercle et le bouchon du couvercle sont en place.
	Lire et bien comprendre le guide d'utilisation.
	NE PAS immerger.
	Les pièces deviennent chaudes après une utilisation prolongée. NE PAS toucher la prise d'entraînement sur le socle du mélangeur ou la cannelure d'entraînement sur la base de lame.
	Ne PAS utiliser la tasse de 0,6 l (20 oz) pour chauffer des ingrédients ou mélanger des liquides chauds.
	N'utilisez PAS les tasses (y compris la base de lames ou les couvercles) dans le micro-ondes.
	Marche/Arrêt
	Pulse

SPÉCIFICATIONS

Tension :	120 V	Hauteur (avec le récipient de 48 oz sur la base) : 18 po
Fréquence :	50/60 hz	Largeur : 8 po
Intensité électrique :	12 A	Profondeur : 11 po



Partez à l'aventure

Vitamix.com

MESURES DE SÉCURITÉ IMPORTANTES



AVERTISSEMENT : Afin d'éviter les risques de blessures graves lors de l'utilisation de votre mélangeur Vitamix®, adoptez des mesures de sécurité essentielles, notamment les suivantes. **LIRE LES INSTRUCTIONS, LES MESURES DE SÉCURITÉ ET LES MISES EN GARDE EN ENTIER AVANT D'UTILISER LE MÉLANGEUR.**

1. Lisez toutes les instructions.
2. N'utilisez ce mélangeur qu'aux fins auxquelles il est prévu.
3. Cet appareil n'est pas conçu pour être utilisé par des enfants, des personnes dont les capacités physiques, sensorielles ou mentales sont réduites, ou qui n'ont pas suffisamment d'expérience et de connaissances, ni pour être utilisé à proximité de ces personnes. Une surveillance étroite est requise lorsqu'un mélangeur est utilisé par des enfants ou des personnes à capacités réduites, ou à proximité de ceux-ci. Surveillez les enfants afin d'éviter qu'ils jouent avec le mélangeur.
4. **AVERTISSEMENT :** Pour éviter qu'il ne soit activé par inadvertance, éteignez et débranchez le mélangeur avant le nettoyage.
5. **MISE EN GARDE :** Afin d'éviter un risque lié à la réinitialisation par inadvertance du coupe-circuit thermique, l'alimentation de ce mélangeur ne doit pas provenir d'un appareil de connexion externe, comme une minuterie, ou être connectée à un circuit qui est souvent activé et désactivé par le fournisseur.
6. Pour prévenir les risques de décharge électrique, ne placez pas le socle du mélangeur dans l'eau ou tout autre liquide.
7. Débranchez l'appareil lorsqu'il n'est pas utilisé, avant d'installer ou de retirer des pièces, ou avant de le nettoyer.
8. Vérifiez toujours que le mélangeur est éteint avant de brancher le cordon sur la prise murale. Pour débrancher le mélangeur, éteignez-le, puis retirez la fiche de la prise murale.
9. Évitez tout contact avec les pièces en mouvement.
10. N'utilisez jamais un mélangeur dont le cordon ou la fiche sont endommagés, ni un appareil qui ne fonctionne pas correctement, qui est tombé ou qui est endommagé de quelque façon que ce soit. Appelez le service à la clientèle Vitamix au 1 800 848-2649 ou au 1 440 235-4840, ou envoyez un courriel à service@vitamix.com pour un examen, une réparation, un remplacement ou un ajustement. Si l'appareil a été acheté à l'extérieur des États-Unis ou du Canada, communiquez avec votre détaillant local Vitamix.
11. Votre cuisine pourrait être équipée de disjoncteurs DDFT. Vous les trouvez dans les prises situées près des éviers. Si le mélangeur ne fonctionne pas, débranchez celui-ci, puis réarmez la prise murale ou le disjoncteur. Si le disjoncteur continue de se déclencher, débranchez le mélangeur de la prise. Laissez-le reposer pendant 24 heures avant de l'utiliser à nouveau. Communiquez avec le service à la clientèle Vitamix si le problème persiste.
12. La modification de toute pièce du mélangeur, y compris l'utilisation de pièces qui ne sont pas des pièces authentiques et autorisées par Vitamix, peut provoquer un incendie, une décharge électrique ou des blessures, et annule votre garantie.
13. L'utilisation d'accessoires qui ne sont pas expressément autorisés ou vendus par Vitamix pour être utilisés avec ce mélangeur, y compris les contenants de mise en conserve, peut provoquer un incendie, une décharge électrique ou des blessures. Une telle utilisation annule votre garantie.
14. N'utilisez pas l'appareil à l'extérieur.
15. Ne laissez pas le cordon pendre de la table ou du comptoir.
16. Ne placez jamais l'appareil sur un brûleur à gaz ou un brûleur électrique chaud, ou à proximité de ceux-ci, ni dans un four en marche ou sur le dessus de celui-ci.
17. Gardez les mains et les ustensiles hors du récipient pendant que le mélangeur est en marche afin de réduire le risque de blessures corporelles graves ou de dommages au mélangeur. Vous pouvez utiliser un racloir ou une spatule en caoutchouc, mais uniquement lorsque le mélangeur ne tourne pas.
18. Le pilon peut être utilisé uniquement lorsque la partie principale du couvercle est en place.
19. Les lames sont tranchantes. Nettoyez l'assemblage de lames dans le récipient avec précaution pour éviter les blessures.
20. Afin de réduire les risques de blessures, ne placez jamais un assemblage de lames sur le socle-moteur, sauf si l'assemblage est fixé au récipient Vitamix.
21. Soyez prudent lorsque vous manipulez les lames tranchantes et que vous videz et nettoyez le récipient.
22. Ne laissez aucun objet étranger dans le récipient, comme des cuillères, des fourchettes, des couteaux ou le bouchon du couvercle, car ils pourraient endommager les lames et d'autres composantes lors du démarrage de l'appareil et provoquer des blessures.
23. N'utilisez jamais l'appareil si les lames sont endommagées.
24. N'utilisez jamais l'appareil si le coussinet de positionnement est retiré.
25. Utilisez l'appareil en vous assurant chaque fois que le couvercle et le bouchon du couvercle sont bien en place. Ne retirez JAMAIS le couvercle à deux pièces lorsque les lames tournent. Retirez uniquement le bouchon du couvercle pour ajouter des ingrédients et utiliser le pilon.
26. Lorsque vous mélangez des liquides ou des ingrédients chauds dans le récipient de 48 onces, soyez prudent, car le jet ou la vapeur qui s'échappent peuvent provoquer des brûlures. Ne remplissez pas le récipient à sa capacité maximale. Commencez toujours à mélanger au réglage de vitesse le plus bas, soit la vitesse variable 1. Gardez les mains et la peau exposée loin de l'ouverture du couvercle pour éviter les brûlures éventuelles.
27. N'utilisez PAS la tasse de 0,6 l (20 oz) pour chauffer des ingrédients ou mélanger des liquides chauds. Les ingrédients et les liquides chauds peuvent créer une pression interne qui risque de faire éclater la tasse et de provoquer des blessures.
28. N'utilisez PAS votre appareil en continu pendant plus de 75 secondes avec la tasse de 0,6 l (20 oz).
29. Si une tasse devient chaude au toucher, que de la vapeur s'en échappe ou que le contenu tend à sortir, arrêtez immédiatement de mélanger les ingrédients et éteignez ou débranchez le mélangeur. Laissez la tasse et les ingrédients refroidir à la température ambiante avant de retirer la base de lame.
30. Lors de la préparation de beurres de noix ou d'aliments à base d'huile, ne faites pas fonctionner l'appareil plus d'une minute après que le mélange commence à circuler dans le récipient. Le fonctionnement de l'appareil pendant de longues périodes peut causer une surchauffe.
31. Assurez-vous que le récipient ou la tasse et l'adaptateur de tasse individuelle sont bien alignés sur le coussinet de positionnement pour que la cannelure d'entraînement soit enclenchée avec la prise d'entraînement avant la mise en marche.
32. Assurez-vous d'utiliser le joint sur la base de lame et de bien resserrer la tasse sur la base de lame avant de mélanger.
33. Ne placez jamais l'adaptateur de tasse individuelle sur la base de la lame sans avoir installé la tasse.

CONSERVEZ CES INSTRUCTIONS

ATTENTION



Afin d'éviter toute blessure

Lire et comprendre le guide d'utilisation avant d'utiliser cet appareil.



INSTRUCTIONS IMPORTANTES POUR UNE UTILISATION SÉCURITAIRE

Ce produit est conçu pour un USAGE DOMESTIQUE SEULEMENT et n'est pas destiné à un usage commercial.

Ne laissez pas votre mélangeur Vitamix sans surveillance lorsqu'il est en marche.

L'entretien, les réparations et le remplacement de pièces doivent être effectués par Vitamix ou par un représentant de service Vitamix autorisé.
AVIS : LE NON-RESPECT DE TOUTE MESURE DE SÉCURITÉ OU DIRECTIVE IMPORTANTE VISANT UNE UTILISATION SÉCURITAIRE CONSTITUE UNE UTILISATION INAPPROPRIÉE DE VOTRE MÉLANGEUR VITAMIX, CE QUI EST SUSCEPTIBLE D'ANNULER VOTRE GARANTIE ET DE PROVOQUER DES BLESSURES GRAVES.

⚠ ATTENTION



Risque de décharge électrique

Utilisez uniquement une prise avec mise à la terre.

NE RETIREZ PAS la mise à la terre.

N'UTILISEZ AUCUN adaptateur.

N'UTILISEZ AUCUNE rallonge.

Débranchez toujours l'appareil avant de nettoyer le socle-moteur ou lorsqu'il n'est pas en marche.

N'immergez pas le socle-moteur dans l'eau ou dans d'autres liquides.

Le non-respect de ces instructions peut causer la mort ou une décharge électrique.



PIÈCES ET CARACTÉRISTIQUES

Récipients Vitamix Legacy – Les récipients Legacy (Série-C et Série-G) fonctionnent avec le socle du mélangeur Explorian. Vous pouvez utiliser une tasse de 0,6 l (20 oz) avec l'adaptateur de tasse individuelle Vitamix. Les récipients Self-Detect de Vitamix ne fonctionnent pas avec le mélangeur Explorian. Visitez vitamix.com pour de plus amples détails.

Couvercle, bouchon du couvercle et pilon

- Utilisez toujours le couvercle et le bouchon du couvercle lorsque le mélangeur fonctionne.
- N'utilisez jamais le mélangeur sans avoir vérifié que le couvercle est bien verrouillé.
- Le bouchon du couvercle comporte des marques afin de pouvoir servir de tasse à mesurer.
- Insérez le bouchon du couvercle par l'ouverture du bouchon du couvercle. Verrouillez le bouchon en le tournant dans le sens horaire. Pour le retirer, tournez-le dans le sens antihoraire et soulevez-le.
- Retirez le bouchon du couvercle pour utiliser le pilon ou ajouter des ingrédients.

Racloir à lame – Voir l'annexe 1 – Accessoires

Support à pilon – Voir l'annexe 1 – Accessoires

Moteur – Le moteur est conçu pour se protéger de la surchauffe. Si le mélangeur ne fonctionne pas immédiatement, vérifiez qu'il est soit branché et que l'interrupteur Marche/Arrêt soit réglé à Marche. Si le moteur a surchauffé, laissez-le refroidir pendant 20 à 45 minutes.

Conseils pour éviter de surcharger votre mélangeur :

- Préparez uniquement des recettes Vitamix lorsque vous apprenez à vous servir de votre mélangeur.
- Ne mélangez pas de recettes à des vitesses inférieures ou supérieures à celles qui sont recommandées.
- Ne mélangez pas de recettes pendant une période supérieure à celle qui est recommandée.
- Utilisez votre pilon pour préparer des mélanges épais et faire circuler les ingrédients autour des lames.



IMPORTANT! APPRENEZ À BIEN CONNAÎTRE VOTRE RÉCIPIENT, VOTRE COUVERCLE ET VOTRE PILON VITAMIX.

⚠ MISE EN GARDE



Les lames rotatives peuvent causer des dommages.

Les couvercles et les pilons ne sont pas interchangeables entre les différents styles, types et formats de récipients. Utilisez le pilon qui a été fourni avec votre mélangeur.

Remarque : Les récipients Self-Detect de Vitamix ne fonctionnent pas avec le mélangeur Explorian.

Les couvercles et les pilons ne sont pas interchangeables entre les différents styles, types et formats de récipients. Utilisez le pilon et le couvercle qui ont été fournis avec votre mélangeur.

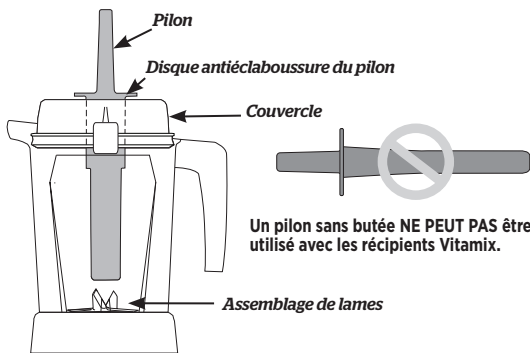
Comment déterminer quel pilon utiliser avec votre récipient

Avant d'utiliser un pilon pendant que le mélangeur est en marche, assurez-vous d'avoir le pilon approprié. Utilisez le pilon uniquement lorsque le couvercle est verrouillé de façon sécuritaire et que le bouchon du couvercle est retiré. **Si un pilon accompagnait votre mélangeur au moment de l'achat, il s'agit du bon pilon à utiliser.** Si aucun pilon n'accompagnait votre mélangeur ou si vous souhaitez savoir si un pilon que vous possédez déjà peut être utilisé avec votre nouveau récipient, suivez les étapes et les illustrations suivantes afin de déterminer quel pilon utiliser.

1. Placez le couvercle sur un récipient vide.
2. Retirez le bouchon du couvercle et insérez le pilon par l'ouverture du bouchon du couvercle. Le pilon doit s'insérer facilement dans l'ouverture. Le pilon ne doit pas entrer en contact avec les lames, quel que soit l'endroit où vous le déplacez dans le récipient.
3. Contrôle visuel : **SI LE PILON TOUCHE LES LAMES À UN QUELCONQUE ANGLE, N'UTILISEZ PAS CE PILON AVEC VOTRE RÉCIPIENT.**
4. Si vous ne possédez pas le pilon approprié pour votre récipient, communiquez avec le service à la clientèle pour usage domestique Vitamix au 1 800 848-2649 ou au 1 440 235-4840.

48 oz. / 1,4 L

Les récipients de 1,4 l (48 oz) et de 0,9 l (32 oz) fonctionnent avec un pilon d'une longueur approximative de 25 cm (9 ¾ po).



Un pilon sans butée NE PEUT PAS être utilisé avec les récipients Vitamix.

AUTRES RÉCIPIENTS ET PILONS VITAMIX

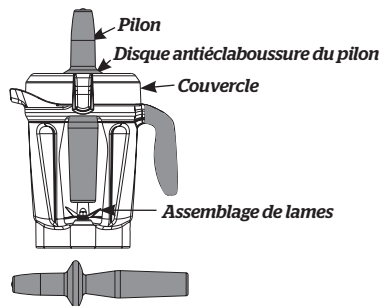
64 oz. / 2,0 L (TALL)

Le récipient de 2 l (64 oz) de **grande taille** fonctionne avec un pilon d'une longueur approximative de 32 cm (12 ½ po).



64 oz. / 2,0 L (SHORT)

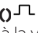
Le récipient **compact** de 2 l (64 oz) fonctionne avec un pilon d'une longueur d'environ 28 cm (11 pouces).

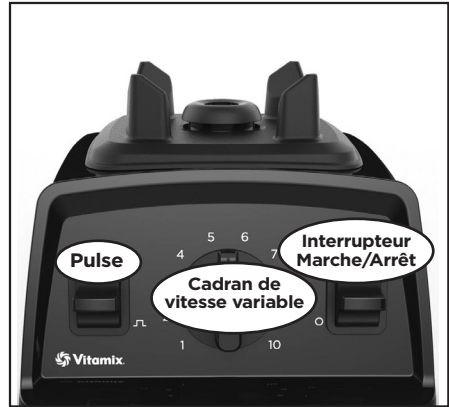


PANNEAU DE COMMANDE

Interrupteur Marche/Arrêt (I/O) – L'Interrupteur Marche/Arrêt contrôle l'alimentation de l'appareil.

Cadran de vitesse variable – Le cadran de vitesse variable vous offre un contrôle manuel de la Variable 1 (basse) à la Variable 10 (haute).

Pulse  – Appuyer sur cette fonction de pulsation fait tourner les lames à la vitesse affichée sur le panneau de commande.



MÉLANGER

Remarque : La tasse de 0,6 l (20 oz) mentionnée précédemment fait partie des accessoires facultatifs des mélangeurs Explorian qui doivent être utilisés avec l'adaptateur de tasse individuelle Vitamix. Veuillez visiter vitamix.com pour obtenir de plus amples renseignements. Consultez le guide d'utilisation de l'adaptateur de tasse individuelle pour connaître les détails de son utilisation.

⚠ ATTENTION



Pour éviter les brûlures potentielles, ne commencez jamais à mélanger des liquides chauds dans un grand récipient à une vitesse supérieure à 1.

La vapeur, les éclaboussures et le contenu qui s'échappent peuvent causer des brûlures. Commencez toujours à mélanger à la Variable 1, puis augmentez lentement jusqu'à 10.



N'utilisez PAS la tasse de 0,6 l (20 oz) pour chauffer des ingrédients ou mélanger des liquides chauds. Les ingrédients et les liquides chauds peuvent créer une pression interne qui risque de faire éclater la tasse et de provoquer des blessures.



N'utilisez PAS votre appareil en continu pendant plus de 2 minutes avec la tasse de 0,6 l (20 oz) et l'adaptateur de tasse individuelle.

Si une tasse devient chaude au toucher, que de la vapeur s'en échappe ou que le contenu tend à sortir, arrêtez immédiatement de mélanger les ingrédients et éteignez ou débranchez le mélangeur. Laissez la tasse et les ingrédients refroidir à température ambiante avant de retirer la base de la lame.



Les pièces deviennent chaudes après une utilisation prolongée.

NE TOUCHEZ PAS la prise d'entraînement sur le socle du mélangeur ou la cannelure d'entraînement sur l'adaptateur de tasse individuelle.

Pour éviter les dommages ou les blessures corporelles, n'utilisez PAS les tasses (y compris la base de lames ou les couvercles) dans le micro-ondes.



1. Remplissez votre récipient selon votre recette (les liquides d'abord, les ingrédients secs, les légumes-feuilles, les fruits et les légumes ensuite, puis enfin la glace et les ingrédients glacés).

IMPORTANT! Utilisez toujours le couvercle et le bouchon du couvercle sur le grand récipient lorsque l'appareil fonctionne. N'utilisez jamais le mélangeur sans vérifier que le couvercle et le bouchon du couvercle sont bien verrouillés.

2. Abaissez le couvercle jusqu'à ce que les deux onglets se referment sur le rebord du récipient. Insérez le bouchon du couvercle. Tournez le bouchon du couvercle dans le sens horaire pour le verrouiller.
3. Placez le récipient sur le socle-moteur.
4. Vérifiez le cadran de vitesse variable. Assurez-vous que le cadran est réglé à la Variable 1. Appuyez sur Marche/Arrêt pour démarrer l'appareil. Les lames commenceront à tourner.
5. Faites tourner le cadran de vitesse variable entre 1 et 10 pendant le cycle du mélangeur afin d'augmenter ou de diminuer la vitesse des lames.
6. À la fin du cycle, faites tourner le cadran de vitesse variable dans le sens antihoraire jusqu'à la Variable 1. Appuyez ensuite sur Marche/Arrêt.

7. Si le mélange cesse de circuler, insérez le pilon par l'ouverture du couvercle et remuez jusqu'à ce que l'air s'échappe. Si cette méthode ne fonctionne pas, appuyez sur l'interrupteur Marche/Arrêt pour arrêter le moteur. Retirez le récipient du socle du mélangeur et utilisez une spatule de caoutchouc pour faire éclater la bulle d'air autour des lames. Ajoutez du liquide, au besoin. Remplacez le couvercle et le bouchon du couvercle. Remettez le récipient sur la base du mélangeur et continuez de mélanger.
8. Une fois le mélange terminé, attendez que les lames soient complètement arrêtées avant de retirer le couvercle ou le récipient du socle du mélangeur.

Conseils pour éviter de surcharger votre mélangeur :

- Préparez uniquement des recettes Vitamix lorsque vous apprenez à vous servir de votre mélangeur.
- Ne mélangez pas de recettes à des vitesses inférieures ou supérieures à celles recommandées.
- Ne mélangez pas de recettes plus longtemps que le temps recommandé.
- Utilisez votre pilon pour préparer des mélanges épais et faire circuler les ingrédients autour des lames.

Comment utiliser le pilon :

IMPORTANT! Le disque antiéclaboussure (près de la partie supérieure du pilon) et le couvercle empêchent le pilon d'entrer en contact avec les lames lorsque le couvercle est fixé adéquatement en position verrouillée.

- Le récipient ne doit pas être rempli à plus des deux tiers de sa capacité lorsque le pilon est utilisé pendant le fonctionnement de l'appareil.
- Afin d'éviter la surchauffe pendant le fonctionnement, n'utilisez PAS le pilon pendant plus de 30 secondes consécutives.
- Si les aliments ne circulent pas, le mélangeur pourrait avoir créé une bulle d'air. Retirez prudemment le bouchon du couvercle en vous assurant que le couvercle demeure bien en place. Laissez l'air de la bulle s'échapper en insérant le pilon par l'ouverture du bouchon du couvercle.
- Tenir le pilon tout droit vers le bas n'aide pas forcément les ingrédients à circuler. Au besoin, dirigez le pilon vers les côtés ou les coins du récipient. Ne tentez PAS de faire entrer le pilon plus profondément dans le récipient.

ENTRETIEN ET NETTOYAGE

AVANT LA PREMIÈRE UTILISATION:

1. Nettoyez la base avec un chiffon imbibé d'eau tiède et essuyez-la avec un chiffon doux et sec. Lavez le récipient, le couvercle, le bouchon du couvercle et le pilon dans l'eau tiède savonneuse. Rincez toutes les pièces. Essuyez-les à l'aide d'un chiffon doux et sec.
2. Choisissez un endroit sur le comptoir qui est plat, sec et propre. Branchez le mélangeur sur une prise triphasée avec mise à la terre.

Remarque : Votre récipient Vitamix est conçu pour être entièrement lavé sans retirer l'écrou de serrage et l'assemblage de lames. N'essayez PAS de retirer l'écrou de serrage ou l'assemblage de lames du récipient. Nos procédures courantes de nettoyage et de désinfection ou encore un cycle de nettoyage au lave-vaisselle assureront un nettoyage complet et en profondeur de votre récipient et de ses composants. Si votre récipient est endommagé, ne l'utilisez pas. Communiquez IMMÉDIATEMENT avec le service à la clientèle Vitamix pour obtenir de l'aide.

Suivez les instructions suivantes si vous préférez ne pas nettoyer votre récipient au lave-vaisselle.

Nettoyage du récipient de 1,5 l (48 oz):

1. Remplissez le récipient d'eau tiède jusqu'à la moitié et ajoutez quelques gouttes de savon à vaisselle.
2. Refermez ou abaissez le couvercle à deux pièces en position verrouillée.
3. Appuyez sur Marche/Arrêt. Augmentez la vitesse graduellement jusqu'à la Variable 10.
4. Faites fonctionner l'appareil pendant 30 à 60 secondes.
5. Ramenez le cadran de vitesse variable à la Variable 1, puis appuyez sur Marche/Arrêt.
6. Rincez et égouttez toutes les pièces.

Désinfection du récipient de 1,5 l (48 oz) avec de l'eau de Javel:

1. Suivez les instructions de nettoyage décrites précédemment.
2. Remplissez le récipient d'eau jusqu'à la moitié et ajoutez 1 ½ cuillère à thé d'eau de Javel.
3. Refermez ou abaissez le couvercle à deux pièces en position verrouillée.
4. Tournez le cadran dans le sens horaire jusqu'à la Variable 1.
5. Appuyez sur Marche/Arrêt. Augmentez la vitesse graduellement jusqu'à la Variable 10.
6. Faites fonctionner l'appareil pendant 30 à 60 secondes.
7. Ramenez le cadran de vitesse variable à la Variable 1, puis appuyez sur Marche/Arrêt.
8. Laissez le mélange reposer dans le récipient pendant 1 ½ minute supplémentaire.
9. Videz le mélange d'eau de Javel. Laissez le récipient sécher à l'air. Ne le rincez pas après la désinfection.

Désinfection du récipient de 1,5 l (48 oz) avec du vinaigre:

1. Suivez les instructions de nettoyage décrites précédemment.
2. Préparez la solution de vinaigre : pour le récipient de 1,5 l (48 oz), diluez 473 ml (16 oz) de vinaigre dans 473 ml (16 oz) d'eau.
3. Refermez ou abaissez le couvercle à deux pièces en position verrouillée.
4. Commencez à la Variable 1. Appuyez sur Marche/Arrêt.
5. Augmentez la vitesse graduellement jusqu'à la Variable 10.
6. Faites fonctionner l'appareil à la Variable 10 pendant 2 minutes entières.
7. Ramenez le cadran de vitesse variable à la Variable 1, puis appuyez sur Marche/Arrêt.
8. Laissez le mélange reposer dans le récipient pendant 3 minutes supplémentaires. La durée de contact totale de la solution de vinaigre dans le récipient doit correspondre à 5 minutes.
9. Versez la solution de vinaigre contenue dans le récipient sur l'intérieur du couvercle à deux pièces. Répétez la procédure de désinfection (étapes 2 à 9).
10. Laissez le récipient et le couvercle sécher à l'air. Ne les rincez pas après la désinfection. Au besoin, rincez-les juste avant l'utilisation suivante.
11. Videz le mélange d'eau de Javel. Laissez le récipient sécher à l'air. Ne le rincez pas après la désinfection.

Couvercles, bouchon du couvercle, coussinet de positionnement, pilon, support à pilon et racloir à lame

Toutes les pièces susmentionnées sont lavables au lave-vaisselle. Vous pouvez également laver ces pièces dans l'eau tiède savonneuse, selon la préférence. Rincez-les bien sous l'eau courante, puis séchez-les.

Base pour mélangeur

1. Éteignez et débranchez le mélangeur.

⚠ ATTENTION



Pour éviter les blessures et les dommages

Pour éviter une activation par inadvertance, éteignez et débranchez le mélangeur avant le nettoyage.

⚠ ATTENTION



Risque de décharge électrique

Débranchez toujours le mélangeur avant de nettoyer le socle ou lorsqu'il n'est pas en marche.

N'immergez pas le socle du mélangeur dans l'eau ou dans d'autres liquides.

Le non-respect de ces instructions peut causer la mort ou une décharge électrique.



2. Nettoyez la surface extérieure à l'aide d'une éponge ou d'un chiffon doux et humide trempé dans une solution de savon à vaisselle et d'eau tiède. N'immergez pas le socle du mélangeur dans l'eau. Le coussinet de positionnement peut être retiré pour un nettoyage en profondeur. Le coussinet de positionnement est lavable au lave-vaisselle.
3. Séchez immédiatement toutes les surfaces et polissez-les à l'aide d'un chiffon doux.

Garantie complète de l'appareil de 5 ans

1. ENREGISTREMENT DU PRODUIT

Vous pouvez enregistrer votre produit en ligne à vitamix.com/garantie ou en communiquant avec notre service à la clientèle au 1 800 848-2649 ou au 1 440 235-4840. Le fait de ne pas enregistrer l'achat de votre produit ne restreint pas les droits que vous offre la garantie. Par contre, enregistrer votre achat permettra à Vitamix de vous offrir un meilleur service à la clientèle et de mieux répondre à tous vos besoins.

2. PERSONNES POUVANT BÉNÉFICIER DE LA COUVERTURE DE CETTE GARANTIE

La présente garantie est offerte par Vitamix au propriétaire de ce mélangeur et s'applique uniquement à un usage domestique personnel. Cette garantie ne s'applique pas aux produits utilisés à des fins commerciales, de location ou de revente. S'il y a un changement de propriétaire du mélangeur au cours de la période de 5 ans, veuillez mettre à jour les renseignements du propriétaire de l'appareil à vitamix.com.

3. CE QUI EST COUVERT

Vitamix garantit au propriétaire que si ce mélangeur (un « mélangeur » consiste en un socle-moteur et tout récipient, couvercle et pilon achetés ensemble) comporte une défaillance attribuable à un défaut matériel, de fabrication ou à l'usure due à un usage domestique normal dans les 5 années suivant la date d'achat, Vitamix réparera sans frais le mélangeur ou la composante défectueuse dans les 30 jours suivant la réception du produit retourné.

Si, à la seule discrétion de Vitamix, la composante ou le mélangeur défectueux ne peut être réparé, Vitamix choisira A) de remplacer le mélangeur gratuitement, ou B) de rembourser le prix d'achat intégral au propriétaire, à moins que Vitamix ne reçoive un avis écrit préalable à propos de la préférence du propriétaire.

4. CE QUI N'EST PAS COUVERT

Cette garantie ne s'applique pas aux mélangeurs qui ont été utilisés pour des applications commerciales ou autres que domestiques. Elle ne couvre pas les changements d'ordre esthétique qui n'affectent pas la performance, tels que la décoloration, les effets de l'utilisation d'abrasifs ou de nettoyants, ou des accumulations de nourriture. Cette garantie n'est valable que si le mélangeur est utilisé et entretenu conformément aux instructions, aux mises en garde et aux mesures de sécurité contenues dans le guide d'utilisation.

Récipients : Broyer certaines herbes et épices dans le récipient ou la tasse peut causer des rayures esthétiques sur le récipient ou la tasse et provoquer l'usure prématurée des lames. Des traces de sable et d'herbes grossières, granuleuses et abrasives provoqueront également l'usure prématurée des lames. Les herbes peuvent contenir des huiles volatiles et, puisque le récipient et la tasse peuvent retenir les huiles, celles-ci peuvent entraîner une décoloration permanente. Dans ces conditions, le contenant, la tasse et les lames ne sont pas couverts par la garantie Vitamix.

Vitamix ne sera pas responsable du coût de toutes réparations non autorisées.

LA RÉPARATION, LE REMPLACEMENT OU LE REMBOURSEMENT DU PRIX D'ACHAT DE L'APPAREIL CONSTITUENT LES RECOURS EXCLUSIFS DE L'ACHETEUR ET LA SEULE RESPONSABILITÉ DE VITAMIX SOUS CETTE GARANTIE. AUCUN EMPLOYÉ OU REPRÉSENTANT DE VITAMIX N'EST AUTORISÉ À OFFRIR UNE GARANTIE SUPPLÉMENTAIRE OU À APPORTER UNE MODIFICATION À LA PRÉSENTE GARANTIE QUI POURRAIT ENGAGER VITAMIX. PAR CONSÉQUENT, L'ACHETEUR NE DOIT SE FIER À AUCUNE AUTRE DÉCLARATION FAITE PAR UN EMPLOYÉ OU UN REPRÉSENTANT DE VITAMIX. EN AUCUN CAS, QUE CE SOIT EN RAISON D'UN CONTRAT, D'UNE INDEMNITÉ, D'UNE GARANTIE, D'UN DÉLIT (NOTAMMENT LA NÉGLIGENCE), D'UNE RESPONSABILITÉ ABSOLUE OU AUTRE, VITAMIX NE POURRA ÊTRE RESPONSABLE DE DOMMAGES PARTICULIERS, INDIRECTS, ACCIDENTELS OU IMMATÉRIELS, NOTAMMENT, MAIS SANS S'Y LIMITER, LA PERTE D'UN PROFIT OU D'UN REVENU.

Certains États ne permettent pas les restrictions sur les garanties. Dans ces États, les restrictions susmentionnées pourraient ne pas s'appliquer à vous. À l'extérieur des États-Unis et du Canada, d'autres garanties peuvent s'appliquer.

5. CE QUI ANNULE LA PRÉSENTE GARANTIE

L'utilisation abusive, inappropriée ou négligente, l'altération du mélangeur, l'exposition à des conditions anormales ou extrêmes et le non-respect des instructions d'utilisation contenues dans ce guide annulent la présente garantie.

La présente garantie s'annule également si des réparations sont effectuées sur le mélangeur ou l'une de ses composantes par une autre personne ou entité que Vitamix ou un fournisseur de service autorisé par Vitamix, ou si une composante du mélangeur couverte par la présente garantie est utilisée en combinaison avec un socle-moteur ou un récipient qui n'est pas expressément autorisé par Vitamix.

6. COMMENT OBTENIR UNE AUTORISATION DE RETOUR EN VERTU DE LA PRÉSENTE GARANTIE

Si vous avez besoin d'un service ou d'une réparation, veuillez téléphoner au service à la clientèle Vitamix au 1 800 848-2649 ou au 1 440 235-4840. Vous devrez fournir une date d'achat ainsi qu'une preuve d'achat pour tout mélangeur qui n'a pas été enregistré auprès de Vitamix. Pour les mélangeurs couverts par la présente garantie, vous recevrez un numéro d'autorisation de retour, des instructions d'expédition à jour et une étiquette de retour prépayée. Vitamix paiera les coûts d'expédition standards du retour d'un mélangeur pour les services et les réparations sous garantie, ainsi que pour le renvoi du mélangeur au propriétaire après la réparation ou le remplacement. L'acheteur est responsable des coûts pour les requêtes d'expédition spéciales.

Aux États-Unis et au Canada, la présente garantie est directement honorée par Vita-Mix Corporation.

États-Unis

Vita-Mix Corporation
8615 Usher Road
Cleveland, Ohio 44138-2199
1 800 848-2649
service@vitamix.com

Canada

Vita-Mix Corporation
200-1701 Shepherd Street East
Windsor (Ontario) N8Y 4Y5
1 800 848-2649
service@vitamix.com

Il sera considéré que vous avez accepté le produit retourné « tel quel » lors de la livraison, sauf si vous informez Vitamix de tout problème, y compris les dommages causés lors de l'expédition, dans les 48 heures suivant la livraison.

Accessoires

Les accessoires suivants peuvent être utilisés avec le modèle Explorian et d'autres mélangeurs Legacy de Vitamix.

1. Tasse individuelle et adaptateur
2. Support à pilon
3. Racloir à lame

INSTRUCTIONS D'UTILISATION ET D'ENTRETIEN DU SUPPORT À PILON

Remarque : S'il est correctement installé, le support à pilon ne nuira pas au bon fonctionnement du mélangeur. Vous pouvez installer le support à pilon à la droite ou à la gauche du socle-moteur.

1. Nettoyez les pièces à la main dans l'eau tiède et savonneuse ou dans le panier supérieur du lave-vaisselle avant de les assembler.
2. Choisissez de quel côté du socle-moteur vous installerez le support à pilon.
3. Soulevez le socle du mélangeur. Placez la base du support à pilon sur la base du mélangeur. Abaissez le socle du mélangeur sur la surface de travail ou le comptoir. Placez la coupelle du support à pilon sur la base du support à pilon. Tournez la coupelle du support à pilon dans le sens horaire pour verrouiller sa position.
4. Assurez-vous que le mélangeur est à plat et bien stable (aucun balancement d'un côté à l'autre) avant de mélanger. Lorsqu'il est installé correctement, la surface intérieure plane de la coupelle du support à pilon arrive au même niveau que le côté du mélangeur (voir la photo).
5. Retirez fréquemment le support à pilon du mélangeur pour le nettoyage. Pour retirer la coupelle du support à pilon, tournez-la dans le sens antihoraire.
6. Pour retirer la base, soulevez le socle-moteur et retirez la base du support à pilon.



Installation appropriée
(au même niveau que le
socle-moteur)

DIRECTIVES D'UTILISATION ET D'ENTRETIEN DU RACLOIR À LAME

IMPORTANT!



Gardez les mains et les ustensiles hors du récipient pendant que le mélangeur est en marche afin de réduire le risque de blessures corporelles graves ou de dommages au mélangeur. Vous pouvez utiliser un racloir à lame, un grattoir ou une spatule en caoutchouc, mais uniquement lorsque le mélangeur ne fonctionne pas et que le récipient a été retiré du socle-moteur.



Ne laissez aucun objet extérieur dans le récipient, comme des cuillères, des fourchettes, des couteaux, des racloirs, des spatules ou la prise du couvercle, car ils pourraient endommager les lames ainsi que d'autres composantes au démarrage de l'appareil et provoquer des blessures.



1. Nettoyez les pièces à la main dans l'eau tiède et savonneuse ou dans le panier supérieur du lave-vaisselle avant de les utiliser.
2. Utilisez le racloir à lame pour enlever les ingrédients épais comme la confiture et le beurre d'arachides de sous les lames, mais uniquement après avoir retiré le récipient du socle-moteur.

Garantie des accessoires de un an

1. CE QUI EST COUVERT

Vita-Mix Corporation (« Vitamix ») garantit que les accessoires (support à pilon, racloir à lame) seront exempts de défauts matériels ou de fabrication et résisteront à l'usure d'un usage domestique normal pendant 1 an suivant la date d'achat. Vitamix réparera sans frais l'accessoire défectueux dans les 30 jours suivant la réception du produit retourné. Si, à la seule discrétion de Vitamix, le récipient ou la composante du récipient défectueux ne peut être réparé, Vitamix choisira (A) de remplacer l'accessoire gratuitement, ou (B) de rembourser le prix d'achat intégral au propriétaire, à moins que Vitamix ne reçoive un avis écrit préalable à propos de la préférence du propriétaire.

2. PERSONNES POUVANT BÉNÉFICIER DE LA COUVERTURE DE CETTE GARANTIE

La présente garantie est offerte par Vitamix au propriétaire de l'accessoire, lequel est uniquement destiné à un usage domestique personnel. Elle ne s'applique pas aux produits utilisés à des fins commerciales, de location ou de revente.

3. CE QUI EST COUVERT

Vitamix garantit au propriétaire que si cet **accessoire** comporte une défectuosité attribuable à un défaut matériel ou de fabrication ou à l'usure d'un usage domestique normal dans la première année suivant la date d'achat, Vitamix réparera sans frais la composante ou l'accessoire défectueux dans les 30 jours suivant la réception de l'accessoire retourné.

Si, à la seule discrétion de Vitamix, un accessoire défectueux ne peut être réparé, Vitamix choisira (A) de le remplacer gratuitement, ou (B) d'en rembourser le prix d'achat intégral au propriétaire, à moins que Vitamix ne reçoive un avis écrit préalable à propos de la préférence du propriétaire.

4. CE QUI N'EST PAS COUVERT

Cette garantie ne s'applique pas aux accessoires qui ont été utilisés pour des applications commerciales ou des usages autres que domestiques. Elle ne couvre pas les changements d'ordre esthétique qui n'affectent pas la performance, tels que la décoloration ou l'effet de l'usage d'abrasifs ou de nettoyants, ou des accumulations de nourriture. La présente garantie n'est valable que si l'accessoire est utilisé et entretenu conformément aux directives, aux mises en garde et aux mesures de sécurité contenues dans le guide d'utilisation.

Vitamix ne sera pas responsable du coût des réparations non autorisées.

LA RÉPARATION, LE REMPLACEMENT OU LE REMBOURSEMENT DU PRIX D'ACHAT DE L'APPAREIL CONSTITUENT LES RECOURS EXCLUSIFS DE L'ACHETEUR ET LA SEULE RESPONSABILITÉ DE VITAMIX SOUS CETTE GARANTIE. AUCUN EMPLOYÉ OU REPRÉSENTANT DE VITAMIX N'EST AUTORISÉ À OFFRIR UNE GARANTIE SUPPLÉMENTAIRE OU À APPORTER UNE MODIFICATION À LA PRÉSENTE GARANTIE QUI POURRAIT ENGAGER VITAMIX. PAR CONSÉQUENT, L'ACHETEUR NE DOIT SE FIER À AUCUNE AUTRE DÉCLARATION FAITE PAR UN EMPLOYÉ OU UN REPRÉSENTANT DE VITAMIX. EN AUCUN CAS, QUE CE SOIT EN RAISON D'UN CONTRAT, D'UNE INDEMNITÉ, D'UNE GARANTIE, D'UN DÉLIT (NOTAMMENT LA NÉGLIGENCE), D'UNE RESPONSABILITÉ ABSOLUE OU AUTRE, VITAMIX NE POURRA ÊTRE RESPONSABLE DE DOMMAGES PARTICULIERS, INDIRECTS, ACCIDENTELS OU IMMATÉRIELS, INCLUANT, SANS S'Y LIMITER, LA PERTE D'UN PROFIT OU D'UN REVENU.

Certains États ne permettent pas les restrictions sur les garanties. Dans ces États, les restrictions susmentionnées pourraient ne pas s'appliquer à vous. À l'extérieur des États-Unis et du Canada, d'autres garanties peuvent s'appliquer.

5. CE QUI ANNULE CETTE GARANTIE

L'utilisation abusive, inappropriée ou négligente, l'altération de l'accessoire, l'exposition à des conditions anormales ou extrêmes et le non-respect des directives d'utilisation contenues dans ce guide annulent la présente garantie.

La présente garantie s'annule également si des réparations sont effectuées sur l'accessoire par une autre personne ou entité que Vitamix ou un fournisseur de service autorisé par Vitamix, ou si une composante du mélangeur couverte par cette garantie est utilisée en combinaison avec un socle-moteur ou un récipient qui n'est pas expressément autorisé par Vitamix.

6. COMMENT OBTENIR UNE AUTORISATION DE RETOUR EN VERTU DE CETTE GARANTIE

Si vous avez besoin d'un service ou d'une réparation, veuillez téléphoner au service à la clientèle Vitamix au 1 800 848-2649 ou au 1 440 235-4840.

Aux États-Unis et au Canada, la présente garantie est directement honorée par Vita-Mix Corporation.

États-Unis

Vita-Mix Corporation
8615 Usher Road
Cleveland, Ohio 44138-2199
1 800 848-2649
service@vitamix.com

Canada

Vita-Mix Corporation
200-1701 Shepherd Street East
Windsor (Ontario) N8Y 4Y5
1 800 848-2649
service@vitamix.com

Il sera considéré que vous avez accepté le produit retourné « tel quel » lors de la livraison, sauf si vous informez Vitamix de tout problème, y compris les dommages causés lors de l'expédition, dans les 48 heures suivant la livraison.

Le cas échéant :



©2017 Vita-Mix Corporation. Aucune partie de cette publication ne peut être reproduite ou transmise de quelque façon que ce soit, ou entreposée dans une banque de données ou un système d'extraction, sans l'autorisation écrite de Vita-Mix Corporation.

E310

LICUADORA DE ALTO RENDIMIENTO

EXPLORIAN SERIES

VM0197



SÍMBOLOS

	Advertencia y precaución
	NUNCA toque las piezas móviles. Mantenga las manos y los utensilios fuera del vaso
	Peligro de descarga eléctrica
	Alta temperatura al licuar líquidos calientes
	Desconectar cuando no se utilice, antes de la limpieza, al cambiar accesorios o al tocar las piezas que se mueven cuando la licuadora se está usando
	Utilizar con la tapa y el tapón de la tapa puestas
	Leer y entender el manual del propietario
	NO sumergir
	Las piezas se calentarán durante el uso prolongado. NO toque el acople en la base de la licuadora ni el eje estriado motriz en la base de las cuchillas
	NO utilice su vaso de 20 onzas (0,6 L) para calentar ingredientes o licuar líquidos calientes.
	NO use los vasos (incluida la base de las cuchillas o las tapas) en el microondas.
	Encendido/apagado
	Pulsar

ESPECIFICACIONES

Voltaje:	120 V	Altura (con el vaso de 48 onzas sobre la base): 18 pulgadas
Frecuencia:	50 - 60 Hz	Ancho: 8 pulgadas
Amperaje:	12 Amps	Profundidad: 11 pulgadas



Comience su aventura

vitamix.com




MEDIDAS DE SEGURIDAD IMPORTANTES



ADVERTENCIA: Para evitar el riesgo de una lesión grave durante el uso de su licuadora Vitamix®, se deben seguir precauciones de seguridad básicas, incluidas las siguientes. **LEA TODAS LAS INSTRUCCIONES, MEDIDAS DE SEGURIDAD Y ADVERTENCIAS ANTES DE UTILIZAR SU LICUADORA.**

1. Lea todas las instrucciones.
2. No utilice la licuadora para un fin distinto para el que fue diseñada.
3. No debe ser utilizada por o cerca de niños ni personas con discapacidades físicas, sensoriales o mentales, o que no tengan la experiencia ni los conocimientos necesarios. Es necesario supervisar de cerca cuando la licuadora esté siendo usada por o cerca de niños o personas discapacitadas. Se debe supervisar a los niños para asegurarse de que no jueguen con la licuadora.
4. **ADVERTENCIA:** Para evitar una activación accidental, apague y desconecte la licuadora antes de la limpieza.
5. **PRECAUCIÓN:** A fin de evitar un peligro debido a un reajuste no intencional del interruptor térmico, la alimentación eléctrica a esta licuadora no deberá ser suministrada a través de un dispositivo interruptor externo, tal como un temporizador, ni conectado a un circuito que se encienda y apague con regularidad a causa del uso.
6. Para evitar el riesgo de una descarga eléctrica, no coloque la base de la licuadora sobre agua u otro líquido.
7. Desconecte la licuadora de la toma de corriente cuando no la vaya a utilizar, antes de colocar o retirar piezas, y antes de la limpieza.
8. Verifique siempre que la licuadora esté **APAGADA** antes de conectar el cable en la toma de corriente de pared. Para la desconexión, **APAGUE** la licuadora y luego retire la clavija de la toma de corriente de pared.
9. Evite el contacto con las piezas móviles.
10. No utilice la licuadora si el cable o la clavija están dañados o si la licuadora presenta una avería, se ha caído o tiene algún tipo de daño. Llame a Servicio al cliente de Vitamix al 1.800.848.2649 o 1.440.235.4840, o envíe un correo electrónico a service@vitamix.com de inmediato para cualquier revisión, reparación, reemplazo o ajuste. En caso de haber adquirido su licuadora fuera de EUA o Canadá, póngase en contacto con su distribuidor Vitamix local.
11. Puede instalar en su cocina interruptores de circuito de falla a tierra. Éstos los puede buscar en las tiendas cerca de los disipadores de calor térmicos. Si la licuadora no funciona, desconéctela. Vuelva a colocar la toma de corriente de pared o el interruptor de circuito. Si el interruptor de circuito continúa disparándose, desconecte la licuadora de la toma de corriente. Deje descansar la licuadora durante 24 horas antes de intentar usarla nuevamente. Póngase en contacto con Servicio al cliente de Vitamix si el problema persiste.
12. La alteración o modificación de cualquiera de las piezas de la licuadora, incluido el uso de partes no autorizadas originalmente por Vitamix, podría causar un incendio, una descarga eléctrica o una lesión ocasionando la anulación de su garantía.
13. El uso de accesorios que no sean expresamente autorizados o vendidos por Vitamix para usarse con esta licuadora, incluidos los envases de conservas, podrían causar un incendio, una descarga eléctrica o una lesión. Este tipo de uso invalidará su garantía.
14. No utilice la licuadora en exteriores.
15. No deje que el cable cuelgue sobre el borde de la mesa o mostrador.
16. No coloque la licuadora sobre ni cerca de quemadores calientes eléctricos o a gas, ni dentro o encima de un horno caliente.
17. Mantenga las manos y los utensilios fuera del vaso mientras licúa para reducir el riesgo de lesiones personales graves o daños a la licuadora. Se puede usar un raspador o espátula de goma pero solo cuando la licuadora no esté funcionando.
18. La barra presionadora suministrada solo deberá usarse cuando la parte principal de la tapa esté en su lugar.
19. Las cuchillas son filosas. Limpie alrededor del conjunto de cuchillas en el vaso con extremo cuidado para evitar lesiones.
20. Para reducir el riesgo de lesiones, nunca coloque el conjunto de cuchillas en la base del motor a menos que esté ensamblado en el vaso de la Vitamix.
21. Se debe tener cuidado al manipular las filosas cuchillas de corte, al vaciar el vaso y durante la limpieza.
22. No deje objetos extraños, tales como cucharas, tenedores, cuchillos o el tapón de la tapa dentro del vaso ya que esto podría dañar las cuchillas y otros componentes al poner en marcha la licuadora, además de que podría ocasionar alguna lesión.
23. Nunca intente usar la licuadora si las cuchillas están dañadas.
24. Nunca intente usar la licuadora si la almohadilla centradora ha sido retirada.
25. Utilice siempre la licuadora con la tapa y el tapón de la tapa firmemente colocados en su lugar. No retire la tapa de dos piezas mientras las cuchillas estén girando. Únicamente retire el tapón de la tapa para añadir ingredientes y utilizar la barra presionadora.
26. Tenga cuidado al licuar líquidos o ingredientes calientes en el vaso de 48 onzas; el chorro o escape de vapor podría causar quemaduras. No llene el vaso a su capacidad máxima. Siempre empiece procesando en el ajuste de velocidad más bajo (velocidad 1). Mantenga las manos y otras partes de su cuerpo expuestas lejos de la abertura de la tapa para evitar posibles quemaduras en la piel.
27. NO utilice su vaso de 20 onzas para calentar ingredientes o licuar líquidos calientes. Los ingredientes y líquidos calientes pueden crear una presión interna la cual podría causar que el vaso se rompiera provocando una lesión.
28. NO utilice de forma continua su máquina durante más de 75 segundos con el vaso de 20 onzas.
29. Si un vaso se siente caliente al tacto, suelta vapor o se descarga, deje de licuar inmediatamente y apague o desenchufe la licuadora. Permita que el vaso y los ingredientes se enfríen a temperatura ambiente antes de retirar la base de las cuchillas.
30. Cuando prepare mantequillas de nueces o alimentos con aceite, no procese durante más de un minuto una vez que la mezcla empiece a circular en el vaso. Procesar durante periodos más largos podría ocasionar un sobrecalentamiento.
31. Asegúrese de que el vaso y el adaptador para vaso personal estén nivelados con la almohadilla centradora para asegurar que el eje estriado motriz esté enganchado con el acople antes de la operación.
32. Asegúrese de usar la junta en la base de las cuchillas y apretar el vaso adecuadamente a la base de las cuchillas antes de licuar.
33. Nunca coloque el adaptador para vaso personal en la base de las cuchillas sin que el vaso esté fijado.

GUARDE ESTAS INSTRUCCIONES

 ADVERTENCIA		
	Para evitar lesiones. Lea y entienda el manual de instrucciones antes de utilizar esta máquina.	

INSTRUCCIONES IMPORTANTES PARA UN USO SEGURO

Este producto está diseñado ÚNICAMENTE PARA USO DOMÉSTICO y no para ser utilizado con fines comerciales.

No deje su licuadora Vitamix desatendida mientras la esté usando.

Cualquier reparación, servicio o reemplazo de piezas deberá ser realizado por Vitamix o por un representante de servicio autorizado por Vitamix.
AVISO: EL NO SEGUIR CUALQUIERA DE LAS MEDIDAS DE SEGURIDAD E INSTRUCCIONES IMPORTANTES PARA UN USO SEGURO SE CONSIDERA UN USO INCORRECTO DE SU LICUADORA VITAMIX, LO QUE PODRÁ ANULAR SU GARANTÍA Y OCASIONAR UN RIESGO DE LESIONES GRAVES.

⚠ ADVERTENCIA



Use únicamente una toma de corriente con conexión a tierra.

NO quite la conexión a tierra.

NO utilice ningún adaptador.

NO utilice ningún cable de extensión.

Siempre desconecte la licuadora antes de limpiar la base del motor o cuando no la esté usando.

No coloque la base del motor en agua u otro líquido.

El no seguir las instrucciones puede provocar una descarga eléctrica e incluso la muerte.



PIEZAS Y CARACTERÍSTICAS

Vasos Vitamix anteriores - Los vasos anteriores (C Series y G Series) funcionarán con la base de su licuadora Explorian. Un vaso de 20 onzas se puede utilizar siempre que sea compatible con el adaptador personal de su vaso Vitamix. Los vasos Vitamix Self-Detect no funcionarán con la licuadora Explorian. Para conocer más detalles, visite vitamix.com.

Vaso, tapón de la tapa y barra presionadora

- Siempre que utilice la licuadora, hágalo con la tapa y el tapón de la tapa puestos.
- Nunca utilice la licuadora sin revisar y asegurarse de que la tapa está firmemente asegurada en su lugar.
- El tapón de la tapa está marcado para poder usarse como taza medidora.
- Inserte el tapón de la tapa a través de la abertura del tapón de la tapa. Asegure el tapón en su lugar girándolo en el sentido de las manecillas del reloj. Para retirarlo, gírelo en sentido inverso al de las manecillas del reloj y sáquelo.
- Retire el tapón de la tapa para usar la barra presionadora o añadir ingredientes.

Raspador de cuchillas - Vea el Anexo 1 - Accesorios

Soporte de la barra presionadora - Vea el Anexo 1 - Accesorios

Motor - El motor está diseñado para protegerse a sí mismo de un sobrecalentamiento. Si la licuadora no arranca de inmediato, revise para asegurarse de haber conectado la unidad y que el interruptor de encendido/apagado esté en ON (encendido). En caso de que el motor se sobrecaliente, permita que éste se enfríe durante 20 a 45 minutos.

Consejos para evitar "sobrecargar" su licuadora:

- Procese únicamente recetas Vitamix cuando esté aprendiendo a utilizar la licuadora.
- No procese recetas a velocidades menores o mayores que las recomendadas.
- No procese recetas por más tiempo que el recomendado.
- Utilice su barra presionadora para procesar mezclas más espesas y mantener a los ingredientes moviéndose alrededor y a través de las cuchillas.



¡¡IMPORTANTE! FAMILIARÍCESE CON SU VASO, TAPA Y BARRA PRESIONADORA VITAMIX

⚠️ PRECAUCIÓN



Las cuchillas giratorias pueden causar daños.

Las tapas y las barras presionadoras no son intercambiables entre los diferentes estilos, tipos y tamaños de vasos. Utilice la barra presionadora que le fue suministrada con su licuadora.

Nota: Los vasos Self-Detect de Vitamix no funcionarán con la licuadora Explorian.

Las tapas y las barras presionadoras no son intercambiables entre los diferentes estilos, tipos y tamaños de vasos. Utilice la barra presionadora y la tapa que le fueron suministradas con su licuadora.

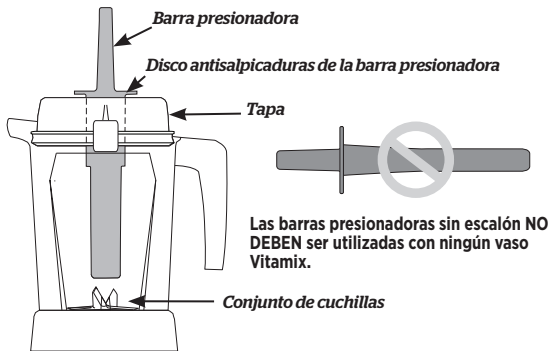
Cómo determinar qué barra presionadora debe usarse con su vaso

Antes de utilizar una barra presionadora durante el licuado, verifique que cuenta con la correcta. Utilice únicamente la barra presionadora con la tapa asegurada firmemente en su lugar y después de haber retirado el tapón de la tapa. **La barra presionadora correcta es la que le fue suministrada con su licuadora al momento de la compra.** En caso de que su barra presionadora no haya venido con su licuadora, o si desea determinar si la barra presionadora que tiene puede utilizarse con su vaso nuevo, siga los siguientes pasos y vea las ilustraciones para determinar qué barra presionadora utilizar.

1. Coloque la tapa en un vaso vacío.
2. Retire el tapón de la tapa e inserte la barra presionadora a través de la abertura del tapón de la tapa. La barra presionadora deberá caer fácilmente dentro de la abertura. Esta no deberá hacer contacto con las cuchillas al moverla dentro del vaso.
3. Inspección visual: **SI LA BARRA PRESIONADORA TOCA LAS CUCHILLAS EN ALGÚN ÁNGULO, NO DEBERÁ UTILIZARLA CON SU VASO.**
4. En caso de no contar con la barra presionadora correcta para su vaso, póngase en contacto con Servicio al cliente de Vitamix para uso doméstico llamando al 1.800.848.2649 o 1.440.235.4840.

48 oz. / 1,4 L

Los vasos de 48 onzas (1,4 L) y 32 onzas (0,9 L) utilizan una barra presionadora de aproximadamente 9-3/4 pulgadas de largo.



Las barras presionadoras sin escalón NO DEBEN ser utilizadas con ningún vaso Vitamix.

OTROS VASOS Y BARRAS PRESIONADORAS VITAMIX

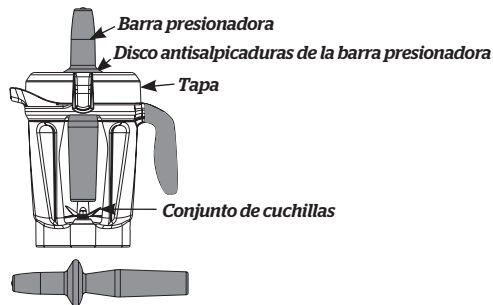
64 oz. / 2,0 L (TALL)

El vaso alto de 64 onzas / 2 L **utiliza** una barra presionadora de aproximadamente 12-1/2 pulgadas de largo.



64 oz. / 2,0 L (SHORT)

El vaso pequeño (o de bajo perfil) de 64 onzas / 2 L **utiliza** una barra presionadora de aproximadamente 11 pulgadas de largo.



PANEL DE CONTROL

Interruptor de encendido/apagado (I/O) - El interruptor de encendido/apagado controla la alimentación eléctrica a la máquina.

Selector de velocidad variable - El selector de velocidad variable le permite tener el control de manera manual de la velocidad 1 (la más baja) hasta la 10 (la máxima).

Pulsar (⏏) - Las cuchillas girarán a la velocidad mostrada en el panel de control al oprimir Pulsar.



LICUAR

Nota: El vaso de 20 onzas aquí mencionado es un accesorio opcional de las licuadoras Explorian cuando se utiliza con un adaptador Vitamix para vaso personal. Visite vitamix.com para obtener más información. Consulte el Manual del propietario del adaptador para vaso personal para conocer los detalles sobre el uso.

⚠ ADVERTENCIA



A fin de evitar quemaduras, nunca empiece con velocidades mayores a 1 cuando procese líquidos calientes en un vaso grande.

El escape de vapor, las salpicaduras o el contenido pueden provocar quemaduras. Siempre empiece en la velocidad 1 y luego increméntala poco a poco hasta 10.



NO utilice su vaso de 20 onzas para calentar ingredientes o licuar líquidos calientes. Los ingredientes y líquidos calientes pueden crear una presión interna la cual podría causar que el vaso se rompiera provocando una lesión.



NO utilice en forma continua su máquina durante más de 2 minutos con el vaso de 20 onzas y el adaptador para vaso personal.



Si un vaso se siente caliente al tacto, suelta vapor o se descarga, deje de licuar inmediatamente y apague o desenchufe la licuadora. Permita que el vaso y los ingredientes se enfrien a temperatura ambiente antes de retirar la base de las cuchillas.

Las piezas se calentarán con el uso prolongado.

NO toque el acople en la base de la licuadora ni el eje estriado motriz en el adaptador para vaso personal.

Para evitar daños o lesiones personales, NO use los vasos (incluida la base de las cuchillas o las tapas) en el microondas.



1. Llene su vaso de acuerdo con su receta (los líquidos primero, luego los productos secos, las verduras de hoja, las frutas y vegetales y finalmente el hielo y los ingredientes congelados).

¡¡IMPORTANTE! Use siempre la tapa y el tapón de la tapa en el vaso grande cuando la máquina esté funcionando. Nunca ponga en marcha la licuadora sin revisar y verificar que la tapa y el tapón de la tapa están asegurados firmemente en su lugar.

2. Presione la tapa en su lugar hasta que las dos lengüetas embonen en la boquilla del vaso. Inserte el tapón de la tapa. Gire el tapón de la tapa en el sentido de las manecillas del reloj para asegurarlo.
3. Coloque el vaso en la base.
4. Mire el selector de velocidad variable. Asegúrese de que esté apuntando hacia la velocidad 1. Presione el interruptor de encendido/apagado para encender la máquina. Las cuchillas empezarán a girar.
5. Gire el selector de velocidad variable a una posición entre 1 y 10 durante el ciclo de licuado para incrementar o reducir la velocidad de las cuchillas.
6. Al final del proceso de licuado, gire el selector de velocidad variable en sentido inverso al de las manecillas del reloj hasta la velocidad 1. Presione el interruptor de encendido/apagado.

- Si la mezcla deja de circular, inserte la barra presionadora a través del tapón de la tapa y revuelva hasta que el aire salga. Si esto no funciona, presione el interruptor de encendido/apagado para detener el motor. Retire el vaso de la base de la licuadora y utilice una espátula de goma para presionar las burbujas de aire lejos de las cuchillas. Añada líquido si es necesario. Vuelva a colocar la tapa y el tapón de la tapa. Coloque nuevamente el vaso en la base de la licuadora y continúe licuando.
- Al finalizar el licuado, espere hasta que las cuchillas se detengan por completo antes de retirar la tapa o el vaso de la base de la licuadora.

Consejos para evitar "sobrecargar" su licuadora:

- Procese únicamente recetas Vitamix cuando esté aprendiendo a utilizar la licuadora.
- No procese recetas a velocidades menores o mayores que las recomendadas.
- No procese recetas por más tiempo que el recomendado.
- Utilice su barra presionadora para procesar mezclas más espesas y mantener a los ingredientes moviéndose alrededor y a través de las cuchillas.

Cómo utilizar la barra presionadora:

¡IMPORTANTE! El disco antisalpicaduras (cerca de la parte superior de la barra presionadora) y la tapa evitan que la barra presionadora golpee las cuchillas cuando la tapa está correctamente asegurada en su lugar.

- El vaso no deberá llenarse más de dos tercios de su capacidad cuando se utilice la barra presionadora durante el licuado.
- Para evitar un sobrecalentamiento durante el licuado, NO utilice la barra presionadora por más de 30 segundos consecutivos.
- Si los alimentos no circulan, la licuadora podría haber atrapado una burbuja de aire. Retire con cuidado el tapón de la tapa asegurándose de que la tapa permanezca firmemente en su lugar. Libere la burbuja de aire insertando la barra presionadora a través de la abertura del tapón de la tapa.
- Sustener la barra presionadora en forma recta no ayudará a que los ingredientes circulen. Si es necesario, dirija la barra presionadora hacia los lados o esquinas del vaso. NO intente forzar la barra presionadora más allá de la profundidad del vaso.

CUIDADO Y LIMPIEZA

ANTES DEL PRIMER USO:

- Limpie la base con un paño humedecido en agua tibia y séquela con paño seco y suave. Lave el vaso, la tapa, el tapón de la tapa y la barra presionadora con agua tibia y jabón. Enjuague todas las piezas. Séquelas con un paño seco y suave.
- Elija un espacio en el mostrador que esté nivelado, seco y limpio. Conecte la licuadora en una toma de corriente de tres clavijas con conexión a tierra.

Nota: Su vaso Vitamix está diseñado para poder lavarse completamente sin necesidad de retirar la tuerca de retención ni el conjunto de cuchillas. NO intente retirar la tuerca de retención ni el conjunto de cuchillas del vaso. Nuestros procedimientos normales de limpieza y desinfección así como el ciclo de limpieza de una lavavajillas garantizan una limpieza completa y exhaustiva de su vaso y sus componentes. Si su vaso está dañado, evite usarlo. Póngase en contacto INMEDIATAMENTE con Servicio al Cliente de Vitamix para solicitar asistencia.

Siga estas instrucciones si prefiere no lavar su vaso en la lavavajillas.

Para limpiar el vaso de 48 onzas:

- Llene el vaso hasta la mitad con agua tibia y agregue un par de gotas de jabón para trastes.
- Presione o haga embonar la tapa de dos piezas hasta quedar asegurada en su lugar.
- Presione el interruptor de encendido/apagado. Incremente poco a poco la velocidad hasta 10.
- Ponga a funcionar la máquina durante 30 a 60 segundos.
- Gire el selector de velocidad variable nuevamente a 1. Presione Arrancar/detener.
- Enjuague y escurra todas las piezas.

Para desinfectar el vaso de 48 onzas usando cloro:

- Siga las instrucciones de limpieza arriba indicadas.
- Llene el vaso hasta la mitad con agua tibia y agregue 1 ½ cucharaditas de cloro líquido.
- Presione o haga embonar la tapa de dos piezas hasta quedar asegurada en su lugar.
- Gire el selector en el sentido de las manecillas del reloj hasta la velocidad 1.
- Presione Arrancar/detener. Incremente poco a poco la velocidad hasta 10.
- Ponga a funcionar la máquina durante 30 a 60 segundos.
- Gire el selector de velocidad variable nuevamente a 1. Presione Arrancar/detener.
- Deje la mezcla en el vaso durante 1 ½ minutos más.
- Retire la mezcla de cloro. Permita que el vaso se seque al aire. No lo enjuague después de desinfectarlo.

Para desinfectar el vaso de 48 onzas usando vinagre:

1. Siga las instrucciones de limpieza arriba indicadas.
2. Prepare una solución de vinagre: para el vaso de 48 onzas, diluya 16 onzas (473 ml) de vinagre en 16 onzas (473ml) de agua.
3. Presione o haga embonar la tapa de dos piezas hasta quedar asegurada en su lugar.
4. Empiece con la velocidad variable 1 en la pantalla. Presione Arrancar/detener.
5. Incremente poco a poco la velocidad hasta 10.
6. Ponga en marcha la máquina en la velocidad 10 durante 2 minutos completos.
7. Gire el selector de velocidad variable nuevamente a 1. Presione Arrancar/detener.
8. Deje la mezcla en el vaso durante otros 3 minutos completos. El tiempo total de contacto de la solución de vinagre con el vaso debe ser de 5 minutos.
9. Retire la solución de vinagre del vaso y viértala sobre la parte interior de la tapa de dos piezas. Repita el procedimiento de desinfección una segunda vez (pasos 2 a 9).
10. Permita que el vaso y la tapa se sequen al aire. No los enjuague después de desinfectarlos. Si es necesario, enjuáguelos de inmediato antes del próximo uso.
11. Retire la mezcla de cloro. Permita que el vaso se seque al aire. No lo enjuague después de desinfectarlo.

Tapas, Tapón de la tapa, almohadilla centradora, barra presionadora, soporte de la barra presionadora y raspador de cuchillas

Todas las piezas enumeradas abajo son aptas para lavavajillas. Si lo prefiere, lave las piezas con agua tibia y jabón. Enjuáguelas con el agua de la llave y luego séquelas.

Base de la licuadora

1. Apague y desconecte la licuadora.

⚠ ADVERTENCIA



Para evitar lesiones y daños.

Para evitar una activación accidental, apague y desconecte la licuadora antes de la limpieza.

⚠ ADVERTENCIA



Peligro de descarga eléctrica.

Siempre desconecte la licuadora antes de limpiar su base o cuando no la esté usando.

No coloque la base de la licuadora en agua u otro líquido.

El no seguir las instrucciones puede provocar una descarga eléctrica e incluso la muerte.



2. Lave la superficie exterior con un paño suave y húmedo o con una esponja que contenga una solución suave de jabón líquido para trastes y agua tibia. No coloque la base de la licuadora en agua. La almohadilla centradora puede retirarse para una limpieza más exhaustiva. La almohadilla centradora es apta para lavavajillas.
3. Seque de inmediato todas las superficies y límpielas con un paño suave.

Garantía total de la máquina por 5 años

1. REGISTRO DEL PRODUCTO.

Usted puede hacer el registro en línea en vitamix.com/warranty; o llamando a nuestro departamento de Servicio al cliente al 1.800.848.2649 o 1.440.235.4840. El no registrar la compra de su producto no reducirá sus derechos de la garantía. Sin embargo, el registro de su compra permitirá que Vitamix le brinde un mejor servicio atendiendo todas sus necesidades a través de Servicio al Cliente.

2. QUIÉN TIENE DERECHO A RECLAMAR LA COBERTURA DE LA GARANTÍA

Vitamix extiende la presente garantía al propietario de esta Licuadora exclusivamente para su uso personal en el hogar. Esta garantía no aplica para productos usados con fines comerciales, de alquiler o reventa. Si la propiedad de la Licuadora cambia en el transcurso de 5 años, esta información deberá ser actualizada con el nombre del nuevo propietario en vitamix.com.

3. LO QUE ESTÁ CUBIERTO.

Vitamix garantiza al propietario que si esta Licuadora (la "Licuadora" consta de la base del motor, cualquier vaso, tapa y barra presionadora adquiridos con ésta) falla dentro de los 5 años siguientes a la fecha de compra a causa de defectos de los materiales o de fabricación, o como resultado del desgaste normal por el uso doméstico regular, Vitamix reparará sin costo la Licuadora o componente de la Licuadora defectuoso dentro de un plazo de 30 días a partir de la recepción del producto devuelto.

Si Vitamix determina, a su entera discreción, que la Licuadora o componente de la Licuadora no pueden ser reparados, Vitamix ofrecerá ya sea (A) reemplazar sin costo la Licuadora, o (B) reembolsar al propietario el total del precio de compra, a menos que reciba una notificación previa por escrito indicando la opción preferida por el propietario.

4. LO QUE NO ESTÁ CUBIERTO.

La presente garantía no aplica a las licuadoras usadas con fines comerciales o en aplicaciones que no sean de uso doméstico. Esta garantía no cubre cambios en el aspecto que no afecten el rendimiento, tales como la decoloración o los efectos debido al uso de abrasivos o limpiadores o la acumulación de alimentos. Esta garantía solamente será válida si la Licuadora se utiliza y recibe mantenimiento de acuerdo con las instrucciones, advertencias y medidas de seguridad contenidas en el Manual del propietario.

Vasos: El moler ciertas hierbas y especias en el vaso podría dar como resultado un maridaje cosmético con el vaso y ocasionar el desgaste prematuro de las cuchillas. Los rastros de arena, granos gruesos y hierbas abrasivas también podrían ocasionar un desgaste prematuro de las cuchillas. Las hierbas pueden contener aceites volátiles y causar que el vaso retenga dichos aceites ocasionando una decoloración permanente. Su vaso y las cuchillas no están cubiertas en la garantía de Vitamix bajo estas circunstancias.

Vitamix no se hará responsable del costo de las reparaciones no autorizadas en la garantía.

LA REPARACIÓN, EL REEMPLAZO O EL REEMBOLSO DEL PRECIO DE COMPRA SON RECURSOS EXCLUSIVOS DEL COMPRADOR Y RESPONSABILIDAD ÚNICA DE VITAMIX BAJO LOS TÉRMINOS DE ESTA GARANTÍA. NINGÚN EMPLEADO O REPRESENTANTE DE VITAMIX ESTÁ AUTORIZADO PARA OFRECER GARANTÍAS ADICIONALES O HACER MODIFICACIONES A ESTA GARANTÍA QUE PUEDAN SER VINCULANTES PARA VITAMIX. POR CONSIGUIENTE, EL COMPRADOR NO DEBERÁ BASARSE EN NINGUNA OTRA DECLARACIÓN FORMULADA POR CUALQUIER EMPLEADO O REPRESENTANTE DE VITAMIX. VITAMIX EN NINGÚN CASO SERÁ RESPONSABLE DE DAÑOS ESPECIALES, INDIRECTOS, INCIDENTALS O CONSECUENTES, INCLUIDA LA PÉRDIDA DE UTILIDADES O INGRESOS, POR CAUSAS DE CARÁCTER CONTRACTUAL, PECUNARIO, EXTRA CONTRACTUAL (INCLUIDA LA NEGLIGENCIA), U OBJETIVO O QUE SE RELACIONEN CON UNA GARANTÍA.

Algunos estados no permiten las limitaciones en las garantías, por lo que es posible que en dichos estados las limitaciones mencionadas arriba no apliquen para usted. Fuera del territorio de EUA y Canadá pueden aplicarse otras garantías.

5. LO QUE ANULARÁ ESTA GARANTÍA.

El maltrato, uso inapropiado o negligente, o alteración de la Licuadora, así como su exposición a condiciones anormales o extremas, o no seguir sus instrucciones de operación, causarán la anulación de esta garantía.

Asimismo, esta garantía quedará anulada si las reparaciones en la Licuadora o cualquier componente de la Licuadora son efectuadas por alguien más que no sea Vitamix o por un proveedor de servicios no autorizado por Vitamix, o si cualquier componente de la Licuadora sujeto a esta garantía es utilizado junto con una base de motor o vaso que no hayan sido expresamente aprobados por Vitamix.

6. CÓMO OBTENER UNA AUTORIZACIÓN DE DEVOLUCIÓN BAJO LOS TÉRMINOS DE ESTA GARANTÍA.

En caso de requerir servicio o reparación, póngase en contacto con Servicio al cliente de Vitamix llamando al 1.800.848.2649 o 1.440.235.4840. Para cualquier licuadora que no haya sido registrada con Vitamix, se solicitará la fecha de compra y un comprobante de la misma. Para las licuadoras sujetas a la presente garantía serán proporcionados un número de autorización de devolución, instrucciones actualizadas para el envío y una etiqueta de devolución prepagada para la entrega. Vitamix asumirá los costos de envío estándar por concepto de devolución de una Licuadora para que le sea efectuado el servicio o reparación bajo los términos de esta garantía y para devolver el producto tras la reparación o reemplazo. El comprador será responsable de asumir los costos derivados de la solicitud de envíos especiales.

Dentro del territorio de EUA y Canadá, esta garantía será cumplida directamente a través de Vita-Mix Corporation.

Estados Unidos

Vita-Mix Corporation
8615 Usher Road
Cleveland, Ohio 44138-2199
1-800-848-2649
service@vitamix.com

Canadá

Vita-Mix Corporation
200-1701 Shepherd Street East
Windsor, Ontario N8Y 4Y5
1-800-848-2649
service@vitamix.com

Se considerará que usted ha aceptado el producto devuelto "en el estado en que se encuentra" al momento de la devolución a menos que usted le notifique a Vitamix sobre cualquier problema, incluidos daños por envío, dentro de las 48 horas siguientes a la entrega.

ANEXO 1 - ACCESORIOS

Accesorios

Los siguientes accesorios están disponibles para usarse con el modelo Explorian y otras licuadoras Vitamix anteriores.

1. Adaptador para vaso personal
2. Soporte de la barra presionadora
3. Raspador de cuchillas

INSTRUCCIONES DE USO Y CUIDADO DEL SOPORTE DE LA BARRA PRESIONADORA

Nota: Si el soporte de la barra presionadora está instalado correctamente, éste no interferirá con la operación de licuado. El soporte de la barra presionadora se puede instalar ya sea del lado izquierdo o del lado derecho de la base del motor.

1. Lave las piezas a mano con agua tibia y jabón o en la bandeja superior de la lavavajillas antes de ensamblarlas.
2. Elija un lado de la base del motor para instalar el soporte de la barra presionadora.
3. Levante la base de la licuadora. Coloque la base del soporte de la barra presionadora en el marco de la licuadora. Baje de nuevo la base de la licuadora sobre la superficie de trabajo o mostrador. Coloque la parte hueca del soporte de la barra presionadora en la base del soporte de la barra presionadora. Gire la parte hueca de la barra presionadora en el sentido de las manecillas del reloj para asegurarla en su lugar.
4. Asegúrese de que la licuadora esté sobre una superficie plana y estable (que no se balancee de un lado al otro) antes de licuar. Una vez instalada correctamente, la superficie plana interior de la parte hueca del soporte de la barra presionadora quedará nivelada con el costado de la licuadora (vea la foto).
5. Retire periódicamente el soporte de la barra presionadora de la licuadora para limpiarlo. Para retirar la parte hueca de la barra presionadora, gírela en sentido inverso al de las manecillas del reloj.
6. Para retirar la base, levante la base del motor y retire la base del soporte de la barra presionadora.



Instalación correcta
(nivelada con la base del motor)

INSTRUCCIONES DE USO Y CUIDADO DEL RASPADOR DE CUCHILLAS

¡IMPORTANTE!



Mantenga las manos y los utensilios fuera del vaso mientras licúa para reducir el riesgo de lesiones personales graves o daños a la licuadora. Se puede usar un raspador o espátula de goma o un raspador de cuchillas pero solo cuando la licuadora no esté funcionando o después de haber retirado el vaso de la base del motor.



No deje objetos extraños, tales como cucharas, tenedores, cuchillos, raspadores, espátulas o el tapón de la tapa dentro del vaso ya que esto podría dañar las cuchillas y otros componentes al poner en marcha la licuadora, además de que podría ocasionar alguna lesión.

1. Lave las piezas a mano con agua tibia y jabón o en la bandeja superior de la lavavajillas antes del uso.
2. Use el raspador de cuchillas para remover ingredientes como mermelada y mantequilla de cacahuate abajo de las cuchillas pero solo una vez que el vaso haya sido retirado de la base del motor.



Garantía de 1 año para los accesorios

1. LO QUE ESTÁ CUBIERTO

Vita-Mix Corporation ("Vitamix") garantiza que (el "Accesorio" (soporte de la barra presionadora, raspador de cuchillas) estará libre de defectos de materiales o de fabricación y no se deteriorará con el uso doméstico normal durante un período de 1 año a partir de la fecha de compra. Vitamix reparará sin costo el Accesorio en caso de presentar algún defecto dentro de un plazo de 30 días a partir de la fecha de recepción del producto devuelto. Si Vitamix determina, a su entera discreción, que el Vaso o Componente del vaso no puede ser reparado, Vitamix ofrecerá ya sea (A) reemplazar sin costo el Accesorio, o (B) reembolsar al propietario el total del precio de compra, a menos que reciba una notificación previa por escrito indicando la opción preferida por el propietario.

2. QUIÉN TIENE DERECHO A RECLAMAR LA COBERTURA DE LA GARANTÍA

Vitamix extiende la presente garantía al propietario de este Accesorio exclusivamente para su uso personal en el hogar. Esta garantía no aplica para productos usados con fines comerciales, de alquiler o reventa.

3. LO QUE ESTÁ CUBIERTO.

Vitamix garantiza al propietario que si este **Accesorio** falla dentro del año siguiente a la fecha de compra a causa de defectos de los materiales o de fabricación, o como resultado del desgaste normal por el uso doméstico regular, Vitamix reparará sin costo el Accesorio o componente defectuoso dentro de un plazo de 30 días a partir de la recepción del producto devuelto.

Si Vitamix determina, a su entera discreción, que el Accesorio no puede ser reparado, Vitamix ofrecerá ya sea (A) reemplazar sin costo el Accesorio, o (B) reembolsar al propietario el total del precio de compra, a menos que reciba una notificación previa por escrito indicando la opción preferida por el propietario.

4. LO QUE NO ESTÁ CUBIERTO.

La presente garantía no aplica al Accesorio usado con fines comerciales o en aplicaciones que no sean de uso doméstico. Esta garantía no cubre cambios en el aspecto que no afecten el rendimiento, tales como la decoloración o los efectos debido al uso de abrasivos o limpiadores o la acumulación de alimentos. Esta garantía solamente será válida si el Accesorio se utiliza y recibe mantenimiento de acuerdo con las instrucciones, advertencias y medidas de seguridad contenidas en el Manual del propietario.

Vitamix no se hará responsable del costo de las reparaciones no autorizadas en la garantía.

LA REPARACIÓN, EL REEMPLAZO O EL REEMBOLSO DEL PRECIO DE COMPRA SON RECURSOS EXCLUSIVOS DEL COMPRADOR Y RESPONSABILIDAD ÚNICA DE VITAMIX BAJO LOS TÉRMINOS DE ESTA GARANTÍA. NINGÚN EMPLEADO O REPRESENTANTE DE VITAMIX ESTÁ AUTORIZADO PARA OFRECER GARANTÍAS ADICIONALES O HACER MODIFICACIONES A ESTA GARANTÍA QUE PUEDAN SER VINCULANTES PARA VITAMIX. POR CONSIGUIENTE, EL COMPRADOR NO DEBERÁ BASARSE EN NINGUNA OTRA DECLARACIÓN FORMULADA POR CUALQUIER EMPLEADO O REPRESENTANTE DE VITAMIX. VITAMIX EN NINGÚN CASO SERÁ RESPONSABLE DE DAÑOS ESPECIALES, INDIRECTOS, INCIDENTALES O CONSECUENTES, INCLUIDA LA PÉRDIDA DE UTILIDADES O INGRESOS, POR CAUSAS DE CARÁCTER CONTRACTUAL, PECUNARIO, EXTRA CONTRACTUAL (INCLUIDA LA NEGLIGENCIA), U OBJETIVO O QUE SE RELACIONEN CON UNA GARANTÍA.

Algunos estados no permiten las limitaciones en las garantías, por lo que es posible que en dichos estados las limitaciones mencionadas arriba no apliquen para usted. Fuera del territorio de EUA y Canadá pueden aplicarse otras garantías.

5. LO QUE ANULARÁ ESTA GARANTÍA.

El maltrato, uso inapropiado o negligente, o alteración del Accesorio, así como su exposición a condiciones anormales o extremas, o no seguir sus instrucciones de operación, causarán la anulación de esta garantía.

Asimismo, esta garantía quedará anulada si las reparaciones en el Accesorio son efectuadas por alguien más que no sea Vitamix o por un proveedor de servicios no autorizado por Vitamix, o si cualquier componente de la Licuadora sujeto a esta garantía es utilizado junto con una base de la licuadora o vaso que no hayan sido expresamente aprobados por Vitamix.

6. CÓMO OBTENER UNA AUTORIZACIÓN DE DEVOLUCIÓN BAJO LOS TÉRMINOS DE ESTA GARANTÍA.

En caso de requerir servicio o reparación, póngase en contacto con Servicio al cliente de Vitamix llamando al 1.800.848.2649 o 1.440.235.4840.

Dentro del territorio de EUA y Canadá, esta garantía será cumplida directamente a través de Vita-Mix Corporation.

Estados Unidos

Vita-Mix Corporation
8615 Usher Road
Cleveland, Ohio 44138-2199
1-800-848-2649
service@vitamix.com

Canadá

Vita-Mix Corporation
200-1701 Shepherd Street East
Windsor, Ontario N8Y 4Y5
1-800-848-2649
service@vitamix.com

Se considerará que usted ha aceptado el producto devuelto "en el estado en que se encuentra" al momento de la devolución a menos que usted le notifique a Vitamix sobre cualquier problema, incluidos daños por envío, dentro de las 48 horas siguientes a la entrega.

Cuando se aplique:



©2017 Vita-Mix Corporation. Ninguna parte de esta publicación podrá ser reproducida ni transmitida en ninguna forma ni por ningún medio, ni almacenada en una base de datos o sistema de recuperación, sin previa autorización por escrito por parte de Vita-Mix Corporation.