



Start Here

GETTING STARTED GUIDE
and OWNERS MANUAL





We're excited to join you on your whole-food journey!

*Let's explore together just how easy it is to make healthy,
delicious meals with your Vitamix® 2-Speed Immersion Blender.
When you're ready, let's get started.*

01

PUT IT TOGETHER

Make sure the immersion blender is unplugged, then attach the handle and wand by lining up the channels and making a ¼ turn counter-clockwise until you hear the unit click into place.

02

DESIGN A SMOOTHIE

For your first recipe, we recommend a quick smoothie. Check out the chart on the next page for some delicious suggestions to get started.

03

LOAD INGREDIENTS

Place ingredients into a smoothie cup, a 1-quart wide-mouth Mason jar, or any container with a 3-inch wide (or larger) opening.

04

BLEND IT

Submerge the immersion blender below the surface of the liquid or as close to the ingredients as possible. Start the blender on its lowest speed, then quickly increase to its highest speed. Move the immersion blender around, including up and down, blending the ingredients for approximately 1 minute and 30 seconds (or 90 seconds) or until your desired consistency is achieved.

05

YOU DID IT

That smooth texture you're enjoying is the Vitamix difference. Savor your delicious whole-food treat—you earned it.

Congratulations, you've completed your first blend!

06

WASH UP

Fill a jar with two cups of water and add a few drops of dish soap. Submerge the bell and blade. Select the lowest speed. Start the immersion blender and blend for 15-20 seconds. Turn off and rinse.

07

STORE IT

Unplug the immersion blender, then make a ¼ turn clockwise to detach the handle and wand. Store until your next blend!

08

LET US KNOW

As you make bigger and more complicated blends, we're always here to offer help and cheer you on.

Call us at **1-800-Vitamix**, email us at service@vitamix.com, or reach out on social media at [@Vitamix](https://www.instagram.com/Vitamix).

01.

CHOOSE 2 FRUITS + VEGETABLES:

- 1 apple, small diced
- 1 cup strawberries
- 1 cup blueberries
- 1 cup grapes
- 1 orange, peeled
- 1 cup melon, peeled
- 1 cup pineapple
- 1 banana, peeled
- 1 cup carrot chunks
- 1 cup peaches
- 1 cup mango, peeled
- ½ cup papaya, peeled
- 1 stalk celery
- ½ cup cucumber

02.

CHOOSE 1 GREEN: *(optional)*

- 1 cups spinach
- 1 cup kale
- ¼ head of romaine
- ½ romaine heart
- ¼ cup raw broccoli
- ½ small head of Bibb
or Boston lettuce

** If you prefer a cooler, thicker smoothie,
add ½ cup of ice cubes.*

03.

CHOOSE 1 LIQUID:

- 1 cup soy milk
- 1 cup almond milk
- 1 cup cashew milk
- 1 cup yogurt
- 1 cup fruit juice
- 1 cup water

Load Up:

For the best results,
add your ingredients
in the recommended
order below.

LIQUIDS

FRUITS + VEGGIES

LEAFY GREENS

DRY GOODS
*(grains, seasonings,
powders)*

ICE + FROZEN
INGREDIENTS



4 cup or 1 quart jar

*Use caution when blending in glass containers, pots, or pans.
Remove pots and pans from heat before blending.*

From snack time to mealtime, it's easy to make your favorite blends in your favorite containers.
Here are some suggestions, but experiment to find what works best for you!*



BLEND IN A COOKING POT

1. Place the immersion blender into the middle of the cooking pot.
2. Submerge the immersion blender below the surface of the liquid, but above the bottom of the pot.
3. Select the lowest speed.
4. Press start and increase to the high speed.
5. Blend for 35 to 40 seconds, or until desired consistency is achieved.



BLEND IN A SMOOTHIE JAR

1. Place all ingredients into an appropriately sized container, with an opening at least 3" wide.
2. Add the ingredients to the jar in the order listed.
3. Submerge the immersion blender below the surface of the liquid or as close to the ingredients as possible.
4. Select the lowest speed. Start the immersion blender and increase to its highest speed.
5. Move the immersion blender around, including up and down, and blend the ingredients for approximately 1 minute 30 seconds (or 90 seconds), or until the desired consistency is achieved.



WHISK IN A BOWL

1. Place all ingredients into an appropriately sized container, ideally a deep bowl with high sides.
2. Add the ingredients to the bowl in the order listed.
3. Place the whisk into the bowl, ideally resting the whisk on the bottom portion of the bowl.
4. Select the lowest speed. Start the immersion blender. Increase the speed as needed to create the desired consistency. Thinner liquids are better whisked on the lowest setting until they become thicker.
5. Move the immersion blender around, keeping the whisk in the ingredients toward the bottom of the bowl. If you need to lift the whisk out of the bowl, make sure to stop the immersion blender completely to minimize splashing.



WE'RE HERE FOR YOU

We love connecting with you and sharing tips, tricks, and help along the way. Join us on social media and share your favorite blends using **#Vitamix**.

Questions? Give us a call at 1-800-Vitamix or visit **vitamix.com**.



More to Explore

Visit **Vitamix.com** for additional recipes and videos. Discover how easy it is to make healthy (and delicious) soup, baby food, sauces, dips, and more!



2-SPEED IMMERSION BLENDER

VM0226

SYMBOLS

	Warning and Caution		On / Off
	NEVER touch moving parts. Keep hands and utensils away from the blade assembly.		Electric Shock Hazard
	High temperatures exist when blending hot liquids.		Read and understand the owner's manual.
	Unplug while not in use, before cleaning, changing accessories, or touching parts that move.		
	Parts will become hot with extended use. NEVER touch the drive socket in the immersion motor or the drive spline in the attachment connector.		

SPECIFICATIONS

Voltage:	120 V	Height:	17.75 inches / 45,1 cm
Frequency:	60 Hz	Depth:	3.25 inches / 8,3 cm
Power (max.):	350 watts	Width:	2.50 inches / 6,4 cm

U.S. Patent: vitamix.com/patents



VITA-MIX® CORPORATION

8615 Usher Road, Cleveland, Ohio 44138 U.S.A.

Tel (International): 1.440.235.4840

Technical Support: 1.800.848.2649

Email: service@vitamix.com

IMPORTANT SAFEGUARDS



WARNING



Carefully read all instructions before operating the appliance for the first time. Save these instructions for future reference.

ALWAYS use grounded outlets.

NEVER remove the ground.

NEVER use an adapter.

NEVER use an extension cord.

NEVER plug the appliance into a timer or an outlet controlled by a switch.



ALWAYS turn off AND unplug the appliance when not in use and before assembling, disassembling, moving, cleaning, and storing.

NEVER put the power cord, power plug, or motor body in water or other liquid.

If the appliance becomes submerged, unplug immediately.

Failure to follow instructions can cause death or electrical shock.

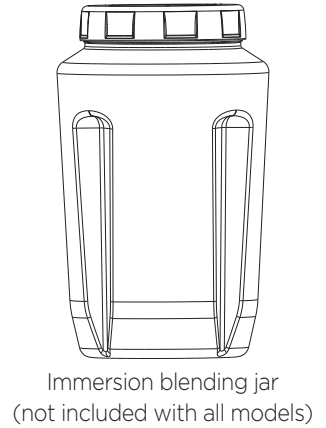
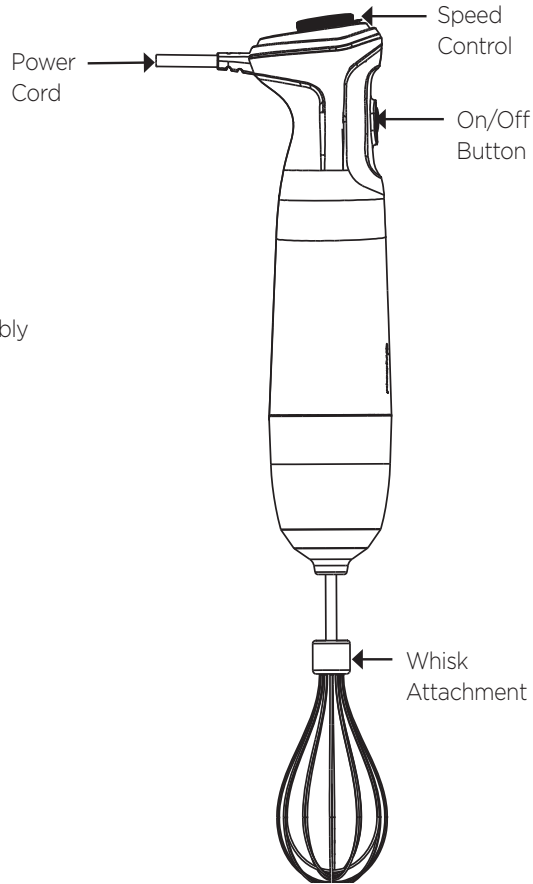
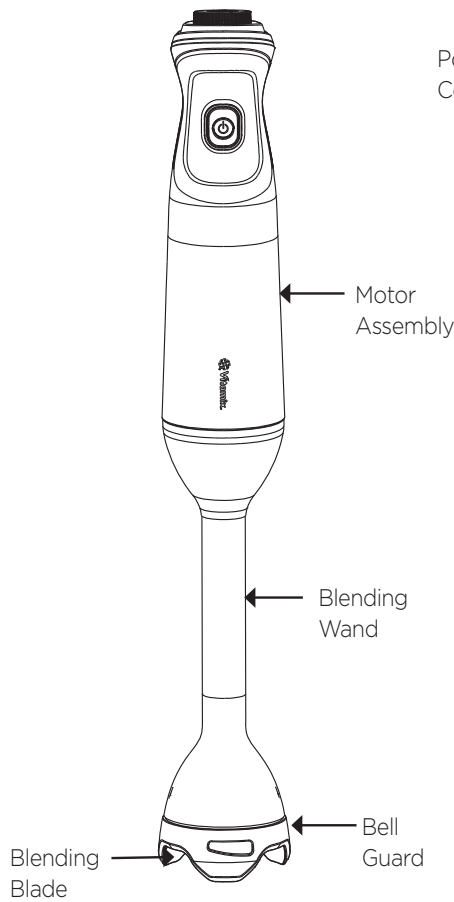


1. THE FAILURE TO FOLLOW ANY OF THE IMPORTANT SAFEGUARDS AND IMPORTANT INSTRUCTIONS FOR SAFE USE IS A MISUSE OF YOUR VITAMIX BLENDER THAT CAN VOID YOUR WARRANTY AND CREATE THE RISK OF SERIOUS INJURY.
2. The instructions appearing in this manual cannot cover every possible condition and situation that may occur. Common sense and caution must be practiced when operating and maintaining any appliance.
3. This appliance is not intended for use by persons (including children) with reduced physical, sensory or mental capabilities, or lack of experience or knowledge, unless they have been given supervision or instruction concerning use of the appliance by a person responsible for their safety and if they understand the hazards involved.
4. NEVER let children use or play with the appliance. Keep the cord out of reach from children.
5. Remove and discard packaging materials, the power plug cover, and promotional labels before using the appliance for the first time.
6. NEVER unplug the appliance by pulling on the cord. To unplug the appliance, grasp the power plug and pull from the outlet.
7. NEVER come in contact with moving parts, especially the blending blades.
8. NEVER operate the appliance with loose, nicked, or damaged blending blades. Check the blending blades daily and replace if damaged before further use.
9. NEVER place the appliance on or near a hot gas or electric burner, or where it could touch any other source of heat.
10. This appliance has a polarized plug (one blade is wider than the other). To reduce the risk of electric shock, this plug will fit in a polarized outlet only one way. If the plug does not fit fully in the outlet, reverse the plug. If it still does not fit, contact a qualified electrician. NEVER modify the plug in any way.
11. NEVER allow the power cord to hang over the edge of a table or counter, touch hot surfaces, or become knotted.
12. ALWAYS ensure the appliance is completely and properly assembled before operation including the unwinding of the power cord fully before use.
13. The blending blades are very sharp. Handle carefully and keep out of reach of children.
14. Alteration or modification of any part of the appliance, including the use of any part or parts that are not genuine authorized Vitamix parts, may cause fire, electric shock, or injury and will void your warranty.

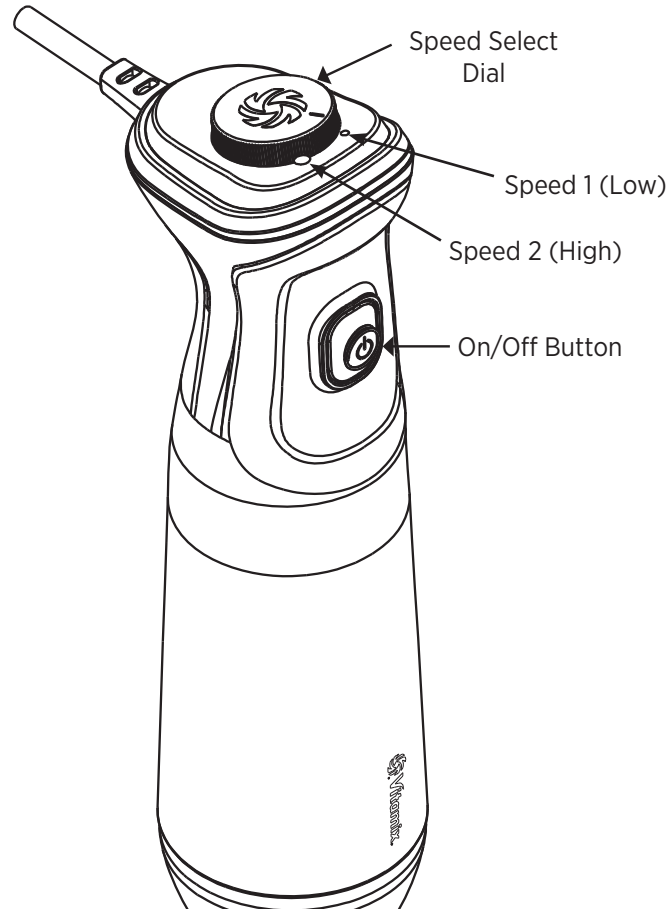
IMPORTANT SAFEGUARDS

15. NEVER use attachments other than those provided with the appliance, including those offered separately by Vitamix, with this product. The use of attachments not recommended by Vitamix may cause fire, electric shock or injury and will void your warranty.
16. NEVER use a chopper attachment with this product.
17. ALWAYS ensure the appliance is unplugged from the power outlet before attempting to assemble any of the attachments.
18. If using the appliance to blend hot food, keep hands and other exposed skin away from the lid opening and use the lowest speed setting to avoid burns from escaping steam or splashes.
19. Extreme caution must be used when moving an appliance or container filled with hot oil or other hot liquids. Escaping steam or splashes may scald.
20. NEVER touch surfaces that may be hot.
21. If during use, the sound of the appliance changes or if a hard or foreign object comes into contact with the blending blades, NEVER serve the food being made with the appliance.
22. NEVER remove ingredients from the appliance during operation. Ensure the motor has completely stopped and the appliance is unplugged before removing any ingredients.
23. If food becomes lodged around the blending blades, release the trigger switch, unplug the power cord and remove the attachment from the motor body. Use a spatula to dislodge the food. NEVER use fingers as the blending blades are sharp.
24. NEVER use the immersion blender for more than three (3) minutes continuously.
25. Keep hands, hair, clothing, and utensils away from all moving parts during operation to reduce the risk of severe injury to persons and/or damage to the appliance. A spatula may be used, but only when the appliance is not running.
26. NEVER leave any foreign object, such as spoons, forks, or knives, in the container as this will damage the blending blades and other components when starting the blender and may cause injury.
27. If the blend is not processing when blending dry, thick, or heavy mixtures, stop operation and stir the ingredients before continuing. Allow the motor to cool for 1 minute before turning the appliance back on.
28. Strictly follow the care and cleaning instructions provided in this manual. The motor base and accessories are NOT dishwasher safe.
29. NEVER allow the blending blades to soak in water for long periods of time.
30. NEVER use the appliance for anything other than its intended use.
31. NEVER use outdoors or on moving vehicles or boats.
32. NEVER leave the working area when the appliance is in use.
33. Use caution when blending in a glass container, pot, pan, and on the stove top.
34. When mixing liquids, especially hot liquids, use a tall container or make small quantities at a time to reduce spillage.
35. Regularly inspect the power cord, power plug, and the appliance for any damage. NEVER operate if damaged in any way or after the appliance malfunctions. Immediately cease use of the appliance and visit Vitamix.com or call Vitamix Customer Service at 1.800.848.2649 (International 1.440.235.4840) or email service@vitamix.com for examination, repair, or adjustment.
36. Any repair, servicing, or replacement of parts must be performed by Vitamix or a Vitamix authorized service representative.
37. **SAVE THESE INSTRUCTIONS.**

CONTROLS



CONTROLS



 WARNING	
	<p>BLADES ARE EXTREMELY SHARP Handle with extreme care to avoid injury.</p>
	<p>TO AVOID DAMAGE AND INJURY NEVER use an immersion blender in a Vitamix Container with a blade assembly. Use caution when blending in a glass container, pot, pan, and on the stove top. NEVER detach the wand or whisk from the motor base while the unit is plugged in. Unplug the unit before removing attachments.</p>

1. Ensure the immersion blender motor is unplugged.
2. Attach the motor assembly to the blending wand or whisk attachment by lining up the channels and making a one quarter turn counter-clockwise until you hear the unit click into place.

NOTE: NEVER use a chopper attachment with this product.

WARNING! Use caution when blending in a glass container, pots, and pans. Remove pot/pan from heat before blending.

3. Place food to be processed into a sufficiently large mixing bowl, container, cup, or saucepan.

NOTE: The container should only be half full or less when blending liquids or when making a puree of fruit and/or vegetables.

WARNING! TO AVOID DAMAGE AND INJURY! NEVER use an immersion blender in a Vitamix blending container with a blade assembly.

4. Plug the power cord into a power outlet.
5. Lower the blending shaft into the container with ingredients. Ensure the blending wand or whisk attachment are completely submerged in the ingredients. Submerge the shaft to a maximum 2/3rd its length. NEVER submerge the motor body in ingredients.

NOTE: When beginning to blend, especially with hot ingredients, ALWAYS start on low speed and increase the speed to avoid splattering and over-processing. Use a tall container or make small quantities to reduce spillage or splash. NEVER use the immersion blender for more than three (3) minutes continuously.

6. Press and hold the On/Off Button to start blending on Speed 1. Rotate the Speed Select Dial to increase to Speed 2. Release the On/Off Button at any time to stop blending.
7. Slowly move the immersion blender around in the ingredients to ensure the best blend.
8. To stop, release the On/Off Button. Allow the blending wand or whisk attachment to come to a complete stop before removing the immersion blender from the blending container.

CARE AND CLEANING



CAUTION

- NEVER use unapproved cleaning methods inconsistent with these instructions to avoid product damage.
- NEVER use abrasive cleaning agents, concentrated bleach, automatic dishwashing detergents, oven cleaners, steel wool, or other abrasive pads.
- NEVER put the power cord, power plug, or motor body in water or other liquid.
- NEVER clean the appliance with a water jet.
- NEVER allow the blending blades to soak in water for long periods of time.
- Ensure no water remains inside the blending wand or whisk attachment to avoid water running into the motor body when reattached.
- Unplug the blender and wring excess water out of the cloth or sponge when cleaning around the controls or any electrical part.
- The motor base and accessories are NOT dishwasher safe.

Cleaning with Water

1. Remove the blending wand or whisk attachment from the motor assembly.
2. Wash in warm soapy water, rinse, and dry thoroughly.
NOTE: The motor base and accessories are NOT dishwasher safe.
3. Wipe down the motor assembly with a cloth lightly soaked in warm, soapy water.
4. Wipe dry with a clean towel to remove soap residue.

Sanitizing with Bleach or Vinegar

1. First perform the “Cleaning with Water” instructions.
2. Wash the blending wand or whisk attachment in 1.5 tsp. (7,4 ml) institutional or household bleach in 2 qt. (1,9 L) water OR in 16 oz. (473 ml) of vinegar for every 16 oz. (473 ml) of water.
3. Allow the attachment to stand in the solution for an additional 1-1/2 minutes.
4. Pour the bleach or vinegar mixture out.
5. Allow the attachment to air dry. DO NOT rinse after sanitizing.

TROUBLESHOOTING

If the unit is not running or runs intermittently:

- Ensure the power button is fully depressed continuously while using.
- Unplug the unit and plug it back in to reset.
- If error persists, contact Vitamix Customer Service at 800.848.2649.

WARRANTY AND SERVICE

2-Year Full Machine Warranty

IMPORTANT RESTRICTION: VITAMIX MAY RESTRICT WARRANTY SERVICE FOR OUR PRODUCTS TO THE COUNTRY WHERE VITAMIX OR ITS AUTHORISED DISTRIBUTORS ORIGINALLY SOLD THE PRODUCT.

- Vitamix does not recommend use of our products outside of the country where such products were sold and built to be used.
- Our products are approved and certified to country-specific safety standards.
- Each country may require a different voltage and frequency, power cable, and plug for the same product.
- After-sales service may not be available outside of the country where Vitamix or any of its authorised distributors originally sold a product, as our authorised distributors and repair technicians stock repair parts that may be country-specific.

1. Product Warranty.

To verify warranty, contact the Authorised Vitamix Household Distributor/Service Provider in your country by visiting https://www.vitamix.com/vr/en_us/international-support.

2. Who Can Seek Warranty Coverage.

This Warranty is extended by Vitamix to the owner of this appliance for personal household use only. This Warranty does not apply to products used for commercial, rental, or re-sale purposes. Should the ownership of the Vitamix change during the warranty period, please provide the new owner with a copy of the original receipt to be able to verify start-date of the warranty.

3. What is Covered.

Vitamix warrants to the owner that if this appliance (an “appliance” consists of the motor base and blending wand purchased together) fails within 2 years, or the whisk and blending jar fail within 2 years, from the earlier of the date of purchase due or date of delivery as permitted by law due to a defect in material or workmanship or as a result of normal wear and tear from ordinary household use, the Authorised Vitamix Household Distributor/Service Provider will, within 30 days of receipt of the returned appliance, repair the failed appliance or component part of the appliance free of charge. If, in Vitamix’s sole discretion, the failed appliance or component part of the appliance cannot be repaired, the Authorised Vitamix Household Distributor/Service Provider will elect to replace the appliance free of charge with the same model or the next closest model if original model is no longer available to purchase. In this case, the warranty start-date remains the same as the purchase date of the original Vitamix.

4. What is Not Covered.

- This Warranty does not apply to appliances used commercially or in non-household applications.
- This Warranty is only valid if the appliance is used and maintained in accordance with the instructions, warnings, and safeguards contained in the owner’s manual. This Warranty does not cover damage caused by accidents (ex: foreign object in container while blending, dropping of unit or container, etc.).
- This Warranty does not cover damage resulting from use of the appliance outside of the country where it was sold and built to be used, and Warranty service may be restricted to the country where Vitamix or its authorized distributors originally sold the appliance.
- This Warranty does not cover cosmetic changes that do not affect performance, such as discoloration, scratches, or the effects of the use of abrasives or cleaners or food build up.

Containers: Processing certain herbs and spices in the container/cup will result in cosmetic marring of the container/cup and may cause the blades to wear prematurely. Traces of sand, coarse gritty and abrasive herbs will also cause the blades to wear prematurely. Herbs may contain volatile oils, cause the container/cup to retain the oils and cause permanent discoloration. Your container/cup and blades are not covered under the Vitamix warranty under these circumstances.

Vitamix will not be responsible for the cost of any unauthorised warranty repairs. Your Vitamix may only be serviced or repaired by an Authorized Vitamix Household Distributor/Service Provider.

WARRANTY AND SERVICE

REPAIR, REPLACEMENT OR REFUND OF THE PURCHASE PRICE ARE THE EXCLUSIVE REMEDIES OF PURCHASER AND THE SOLE LIABILITY OF VITAMIX AND ITS AUTHORISED DISTRIBUTORS UNDER THIS WARRANTY. NO EMPLOYEE OR REPRESENTATIVE OF VITAMIX OR ANY OF ITS AUTHORISED DISTRIBUTORS IS AUTHORISED TO MAKE ANY ADDITIONAL WARRANTY OR ANY MODIFICATION TO THIS WARRANTY WHICH MAY BE BINDING UPON VITAMIX. ACCORDINGLY, PURCHASER SHOULD NOT RELY UPON ANY ADDITIONAL STATEMENTS MADE BY ANY EMPLOYEE OR REPRESENTATIVE OF VITAMIX OR ANY OF ITS AUTHORISED DISTRIBUTORS. IN NO EVENT, WHETHER BASED ON CONTRACT, INDEMNITY, WARRANTY, TORT (INCLUDING NEGLIGENCE), STRICT LIABILITY OR OTHERWISE, SHALL VITAMIX BE LIABLE FOR ANY SPECIAL, INDIRECT, INCIDENTAL OR CONSEQUENTIAL DAMAGES, INCLUDING, WITHOUT LIMITATION, LOSS OF PROFIT OR REVENUE.

NOTE: If your Vitamix needs to be serviced but does not fall within the Warranty guidelines, it may still be repaired at your cost (for repair and shipping). Contact the Authorized Vitamix Household Distributor/Service Provider in your country by visiting https://www.vitamix.com/vr/en_us/international-support. For Vitamix Household Support or Sales call 800.848.2649 or +1.440.235.4840 (International) or email service@vitamix.com.

5. What Voids this Warranty.

- Abuse, misuse, negligent use, alteration of the appliance, exposure to abnormal or extreme conditions, or failure to follow the operating instructions in this manual will void this Warranty.
- The Warranty is also void if repairs to the appliance or any component part of the appliance are performed by someone other than either Vitamix or an authorised Vitamix Service Provider or if any component part of a appliance subject to this Warranty is used in combination with a motor base or container that is not expressly authorised by Vitamix.
- The warranty is void when the appliance is used with a transformer or adapter to convert the voltage.

6. How to Obtain Warranty Service.

Contact the Authorized Vitamix Household Distributor/Service Provider in your country for assistance servicing your Vitamix. For a list of Vitamix Distributors, visit https://www.vitamix.com/vr/en_us/international-support.



Vita-Mix® Corporation

8615 Usher Road

Cleveland, OH 44138 U.S.A.

[vitamix.com](https://www.vitamix.com)

©2023 Vita-Mix® Corporation. No part of this publication may be reproduced or transmitted in any form or by any means or stored in a database or retrieval system without the written permission of the Vita-Mix® Corporation.



Commencer ici

GUIDE DE DÉMARRAGE
et MANUEL DES PROPRIÉTAIRES





Nous sommes ravis de vous accompagner dans votre aventure avec les aliments complets!

Voyons ensemble à quel point il est facile de préparer des repas sains et délicieux avec votre mélangeur à main Vitamix® à vitesses. Lorsque vous êtes prêt, commençons.

01

ASSEMBLEZ-LE

Vérifiez que votre mélangeur à main est bien débranché, puis fixez la poignée au pied en alignant les encoches et en tournant d'un quart de tour dans le sens contraire des aiguilles d'une montre, jusqu'à ce que vous entendiez un clic.

02

CRÉER UN SMOOTHIE

Pour votre première recette, nous recommandons un smoothie rapide. Consultez le tableau à la page suivante, où vous trouverez de délicieuses suggestions pour vous lancer.

03

REEMPLIR LE RÉCIPIENT

Mettez les ingrédients dans une tasse à smoothie, un pot Mason à large ouverture d'une capacité de 0,9 l ou dans un autre récipient doté d'une ouverture de 7,5 cm (3 po) de large ou plus.

04

MÉLANGER

Plonger le mélangeur sous la surface du liquide ou aussi près des ingrédients que possible. Démarrer le mélangeur à sa vitesse la plus basse, puis augmenter rapidement la vitesse jusqu'au maximum. Déplacer le mélangeur d'immersion pendant environ 1 seconde, y compris jusqu'à 30 secondes.

05

VOUS L'AVEZ FAIT

La texture lisse que vous appréciez est la différence Vitamix. Savourez votre délicieuse friandise complète, vous l'avez méritée.

Félicitations, vous avez terminé votre premier Mix !

06

FAIRE LA VAISSELLE

Remplissez un bocal de deux tasses d'eau et ajoutez quelques gouttes de savon à vaisselle. Plongez la cloche et la lame. Sélectionner la vitesse la plus basse. Démarrer le mélangeur à main et mélanger pendant 15 à 20 secondes. Éteindre et rincer.

07

RANGEZ-LE

Débranchez le mélangeur, puis faites $\frac{1}{4}$ tour dans le sens des aiguilles d'une montre pour détacher la poignée et la baguette. Conservez-les jusqu'à votre prochain mélange !

08

FAITES-VOUS ENTENDRE

Lorsque vous réalisez des mélanges plus grands et plus compliqués, nous sommes toujours là pour vous offrir de l'aide et vous encourager. Appelez-nous au **1-800-Vitamix**, envoyez-nous un courriel au service@vitamix.com ou contactez-nous sur les médias sociaux au [@Vitamix](https://www.vitamix.com).

01.

CHOISISSEZ 2 FRUITS + LÉGUMES :

1 pomme, coupée en petits dés
152 g (1 tasse) de fraises
148 g (1 tasse) de bleuets
168 g (1 tasse) de raisins
1 orange, pelée
177 g (1 tasse) de melon, pelé
165 g (1 tasse) d'ananas
1 banane, pelée
1 tasse de morceaux de carotte
154 g (1 tasse) de pêches
165 g (1 tasse) de mangue
70 g (½ tasse) de papaye, pelée
1 branche de céleri
52 g (½ tasse) de concombre

02.

CHOISISSEZ 1 VERT : *(facultatif)*

1 tasse d'épinards
67 g (1 tasse) de chou frisé
¼ tête de romaine
½ cœur de romaine
¼ tasse de brocoli cru
½ petite tête de laitue Bibb ou Boston

** Si vous préférez un smoothie plus frais et plus épais, ajoutez ½ tasse de glaçons.*

03.

CHOISISSEZ UN LIQUIDE :

240 ml (1 tasse) de lait de soya
1 tasse de lait d'amande
1 tasse de lait de noix de cajou
1 tasse de yogourt
240 ml (1 tasse) de jus de fruit
240 ml (1 tasse) d'eau

Remplissage du récipient :

Pour obtenir de meilleurs résultats, ajoutez vos ingrédients dans l'ordre recommandé ci-dessous.

LIQUIDES

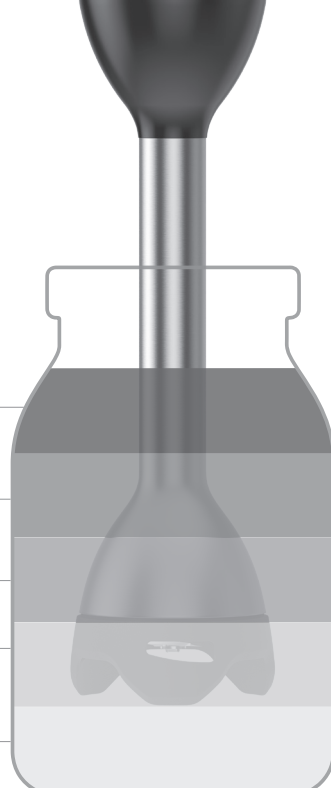
FRUITS + LÉGUMES

LÉGUMES-FEUILLES

ALIMENTS SECS

(graines, assaisonnements, poudres)

GLACE + INGRÉDIENTS
SURGELÉS INGRÉDIENTS



Récipient de 4 tasses ou de 0,9 l

Soyez prudent lorsque vous préparez un mélange dans un récipient en verre, une casserole ou un poêlon. Retirez toujours les casseroles et poêles du feu avant de procéder au mélange.

De la collation au repas, préparez vos mélanges favoris dans vos récipients préférés en toute simplicité.
Voici quelques suggestions, mais vous pouvez expérimenter pour trouver ce qui fonctionne le mieux pour vous!*



MÉLANGER DANS UNE CASSEROLE

1. Mettre le mélangeur à main au milieu de la casserole.
2. Plonger le mélangeur sous la surface du liquide, sans l'appuyer au fond de la casserole.
3. Sélectionner la vitesse la plus basse.
4. Appuyez sur Démarrer et passez à haut débit.
5. Mélanger pendant 35 à 40 secondes ou jusqu'à l'obtention de la consistance souhaitée.



MÉLANGER DANS UN RÉCIPIENT À SMOOTHIE

1. Mettre tous les ingrédients dans un récipient de taille convenable doté d'une ouverture d'au moins 7,5 cm (3 po) de large.
2. Mettre tous les ingrédients dans le récipient dans l'ordre indiqué.
3. Plonger le mélangeur à main sous la surface du liquide ou aussi près des ingrédients que possible.
4. Sélectionner la vitesse la plus basse. Démarrer le mélangeur, puis augmenter la vitesse jusqu'au maximum.
5. Déplacez le mélangeur à immersion, y compris de haut en bas, et mélangez les ingrédients pendant environ 1 minute 30 secondes (ou 90 secondes), ou jusqu'à ce que la consistance souhaitée soit atteinte.



FOUETTER DANS UN BOL

1. Placez tous les ingrédients dans un récipient de taille appropriée, idéalement un bol profond avec des parois hautes.
2. Mettre tous les ingrédients dans l'ordre indiqué.
3. Placez le fouet dans le bol, de préférence en le faisant reposer sur la partie inférieure du bol.
4. Sélectionner la vitesse la plus basse. Démarrer le mélangeur à main. Augmenter la vitesse jusqu'à l'obtention de la consistance désirée. Les liquides plus fins sont mieux fouettés au réglage le plus bas jusqu'à ce qu'ils deviennent plus épais.
5. Déplacez le mélangeur à main en gardant le fouet dans les ingrédients vers le fond du bol. Si vous devez retirer le fouet du bol, assurez-vous d'arrêter complètement le mélangeur à main pour minimiser les éclaboussures.



NOUS SOMMES LÀ POUR VOUS

Nous aimons communiquer avec vous et partager des conseils, des astuces et de l'aide en cours de route. Rejoignez-nous sur les réseaux sociaux et partagez vos mélanges préférés avec **#Vitamix**.

Des questions? Appelez-nous au 1 800 Vitamix ou visitez le site **vitamix.com**.



Plus à explorer

Rendez-vous sur **Vitamix.com** pour découvrir des recettes et des vidéos supplémentaires. Découvrez à quel point il est facile de préparer des soupes saines (et délicieuses), des aliments pour bébés, des sauces, des trempettes et plus encore !



MÉLANGEUR À MAIN À 2 VITESSES

VM0226

SYMBOLES

	Avertissement et mise en garde		Marche/Arrêt
	NE touchez jamais les pièces en mouvement. Gardez les mains et les ustensiles à l'écart de l'ensemble des lames.		Risque de décharge électrique
	Les températures sont élevées lorsque l'on mélange des liquides chauds.		Lire et bien comprendre le guide d'utilisation.
	Débranchez l'appareil lorsqu'il n'est pas utilisé, avant de le nettoyer, de changer d'accessoire ou de toucher des pièces mobiles.		
	Les pièces deviennent chaudes en cas d'utilisation prolongée. NE touchez JAMAIS la prise d'entraînement du moteur d'immersion ou la cannelure d'entraînement du connecteur de fixation.		

SPÉCIFICATIONS

Tension :	120 V	Hauteur :	17,75 pouces / 45,1 cm
Fréquence :	60 Hz	Profondeur :	3,25 pouces / 8,3 cm
Puissance (max.) :	350 watts	Largeur :	2,50 pouces / 6,4 cm

Brevet américain : vitamix.com/brevets



VITA-MIX® CORPORATION

8615 Usher Road, Cleveland, Ohio 44138 U.S.A.

Tél. (International) : 1 440 235-4840

Soutien technique : 1 800 848-2649

Courriel : service@vitamix.com

CONSIGNES DE SÉCURITÉ IMPORTANTES



ATTENTION



Lire attentivement toutes les instructions avant d'utiliser l'appareil pour la première fois. Conserver ces instructions pour consultation future.

TOUJOURS utiliser des prises avec mise à la terre.

NE JAMAIS enlever la mise à la terre.

NE JAMAIS utiliser un adaptateur.

NE JAMAIS utiliser de rallonge.

NE JAMAIS brancher l'appareil sur une minuterie ou une prise contrôlée par un interrupteur.



TOUJOURS éteindre ET débrancher l'appareil lorsqu'il n'est pas utilisé et avant l'assemblage, le démontage, le déplacement, le nettoyage et le stockage.



NE mettez JAMAIS le cordon d'alimentation, la fiche d'alimentation ou le corps du moteur dans l'eau ou dans un autre liquide.

Si l'appareil est immergé, le débrancher immédiatement.

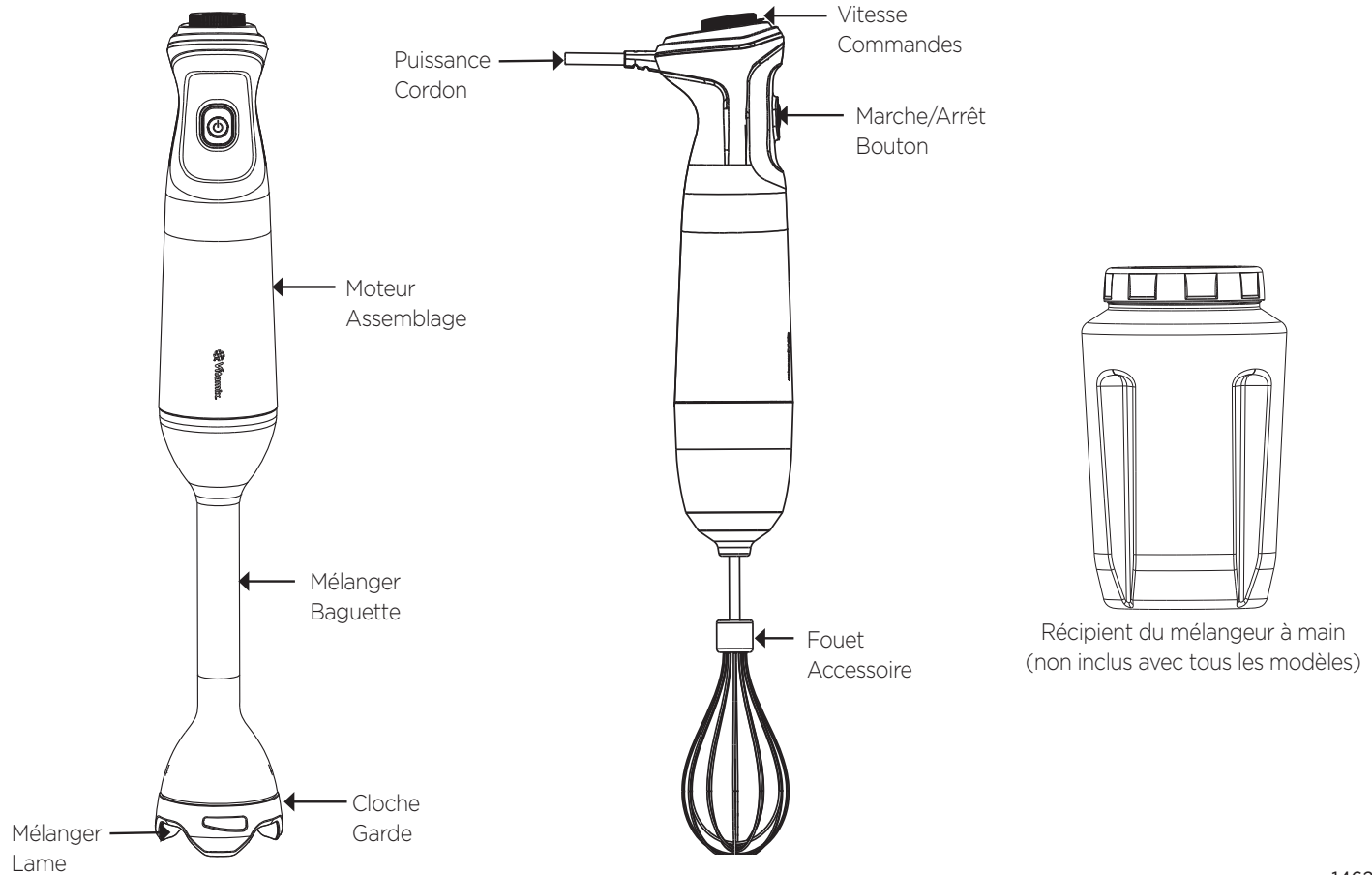
Le non-respect de ces instructions peut causer la mort ou une décharge électrique.

1. LE NON-RESPECT DES MESURES DE PROTECTION ET DES INSTRUCTIONS IMPORTANTES POUR UNE UTILISATION EN TOUTE SÉCURITÉ CONSTITUE UNE MAUVAISE UTILISATION DE VOTRE MIXEUR VITAMIX QUI PEUT ENTRAÎNER L'ANNULATION DE VOTRE GARANTIE ET CRÉER UN RISQUE DE BLESSURE GRAVE.
2. Les instructions contenues dans ce manuel ne couvrent pas toutes les conditions et les situations pouvant survenir. Le bon sens et la prudence sont de mise lors de l'utilisation et de l'entretien de tout appareil.
3. Cet appareil n'est pas destiné à être utilisé par des personnes (y compris des enfants) ayant des capacités physiques, sensorielles ou mentales réduites, ou un manque d'expérience ou de connaissances, sauf si elles ont reçu une supervision ou des instructions concernant l'utilisation sécuritaire de l'appareil et si elles comprennent les dangers impliqués.
4. Ne JAMAIS laisser les enfants utiliser ou jouer avec l'appareil. Gardez le cordon hors de portée des enfants.
5. Retirer et jeter les matériaux demballage, le couvercle de la prise d'alimentation et les étiquettes promotionnelles avant d'utiliser l'appareil pour la première fois.
6. NE débranchez jamais l'appareil en tirant sur le cordon. Pour débrancher l'appareil, saisissez la fiche d'alimentation et retirez-la de la prise.
7. N'ENTREZ JAMAIS EN contact avec les pièces mobiles, en particulier les lames pour mélanger.
8. N'utilisez JAMAIS l'appareil si les lames du mélangeur sont desserrées, entaillées ou endommagées. Vérifiez quotidiennement les lames à mélanger et remplacez-les si elles sont endommagées avant toute nouvelle utilisation.
9. NE placez jamais l'appareil sur ou à proximité d'un brûleur électrique ou à gaz chaud, ou dans un endroit où il pourrait entrer en contact avec toute autre source de chaleur.
10. Cet appareil est équipé d'une prise polarisée (une lame est plus large que l'autre). Pour réduire le risque d'électrocution, cette prise ne rentre dans une prise polarisée que dans un sens. Si la prise ne rentre pas complètement dans la prise, inversez la prise. S'il ne rentre toujours pas, contactez un électricien qualifié. NE MODIFIEZ JAMAIS la prise de quelque façon que ce soit.
11. NE laissez jamais le cordon d'alimentation pendre sur le bord d'une table ou d'un comptoir, toucher des surfaces chaudes ou se nouer.
12. Assurez-vous TOUJOURS que l'appareil est complètement et correctement assemblé avant de l'utiliser, y compris en déroulant complètement le cordon d'alimentation avant l'utilisation.
13. Les lames à mélanger sont très tranchantes. Manipulez-le avec soin et gardez-le hors de la portée des enfants.
14. L'altération ou la modification de toute pièce de l'appareil, y compris l'utilisation de pièces qui ne sont pas des pièces authentiques et autorisées par Vitamix, peuvent provoquer un incendie, une décharge électrique ou des blessures, et annuler votre garantie.

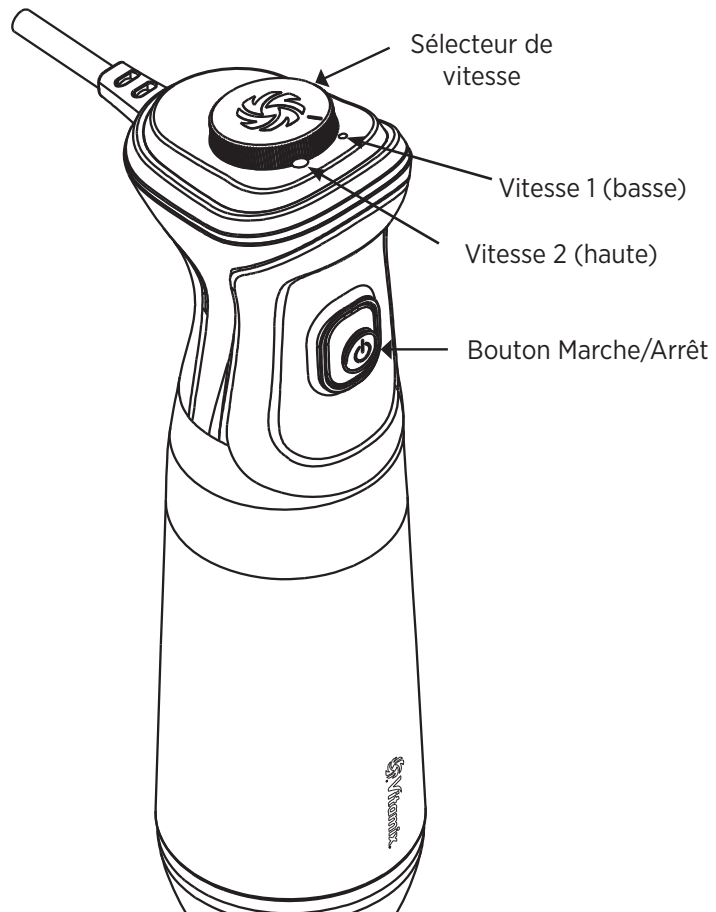
CONSIGNES DE SÉCURITÉ IMPORTANTES

15. N'utilisez JAMAIS d'accessoires autres que ceux fournis avec l'appareil, y compris ceux offerts séparément par Vitamix, avec ce produit. L'utilisation d'accessoires non recommandés par Vitamix peut provoquer un incendie, un choc électrique ou des blessures et annulera votre garantie.
16. N'utilisez JAMAIS de hachoir avec ce produit.
17. ASSUREZ-VOUS TOUJOURS que l'appareil est débranché de la prise de courant avant d'essayer d'assembler l'un des accessoires.
18. Si vous utilisez l'appareil pour mixer des aliments chauds, gardez vos mains et toute autre peau exposée à l'écart de l'ouverture du couvercle et utilisez la vitesse la plus basse pour éviter les brûlures dues à la vapeur qui s'échappe ou aux éclaboussures.
19. Faites preuve de la plus grande prudence lorsque vous déplacez un appareil ou un récipient rempli d'huile ou d'autres liquides chauds. La vapeur ou les éclaboussures qui s'échappent peuvent causer des brûlures.
20. NE touchez jamais les surfaces qui peuvent être chaudes.
21. Si, pendant l'utilisation, le son de l'appareil change ou si un objet dur ou étranger entre en contact avec les lames du mélangeur, ne servez JAMAIS les aliments préparés avec l'appareil.
22. NE retirez jamais d'ingrédients de l'appareil en cours de fonctionnement. Assurez-vous que le moteur est complètement arrêté et que l'appareil est débranché avant de retirer des ingrédients.
23. Si des aliments se logent autour des lames à mélanger, relâchez l'interrupteur à gâchette, débranchez le cordon d'alimentation et retirez la fixation du corps du moteur. Utilisez une spatule pour déloger les aliments. N'utilisez jamais vos doigts, car les lames sont tranchantes.
24. N'utilisez JAMAIS le mélangeur à main pendant plus de trois (3) minutes en continu.
25. Gardez les mains, les cheveux, les vêtements et les ustensiles à l'écart de toutes les pièces mobiles pendant le fonctionnement de l'appareil, afin de réduire les risques de blessures graves et/ou d'endommagement de l'appareil. Une spatule peut être utilisée, mais uniquement lorsque l'appareil n'est pas en marche.
26. NE laissez JAMAIS d'objets étrangers, comme des cuillères, des fourchettes ou des couteaux, dans le récipient, car cela endommagerait les lames du mélangeur et d'autres composants lors de la mise en marche du mélangeur et pourrait provoquer des blessures.
27. Si le mélange n'est pas traité lorsque vous mélangez des mélanges secs, épais ou lourds, arrêtez l'opération et remuez les ingrédients avant de continuer. Laissez le moteur refroidir pendant 1 minute avant de remettre l'appareil en marche.
28. Suivez scrupuleusement les instructions d'entretien et de nettoyage fournies dans ce manuel. La base du moteur et les accessoires NE passent pas au lave-vaisselle.
29. NE laissez jamais les lames à mélanger tremper dans l'eau pendant de longues périodes.
30. N'utilisez jamais l'appareil à d'autres fins que celles pour lesquelles il a été conçu.
31. N'UTILISEZ JAMAIS à l'extérieur ou sur des véhicules ou des bateaux en mouvement.
32. NE quittez jamais la zone de travail lorsque l'appareil est en cours d'utilisation.
33. Soyez prudent lorsque vous mélangez dans un récipient en verre, une casserole, une poêle ou sur la cuisinière.
34. Lors du mélange de liquides, particulièrement lorsqu'il s'agit de liquides chauds, utilisez un récipient aux rebords élevés ou préparez de plus petites quantités à la fois pour réduire les risques d'éclaboussures.
35. Vérifiez régulièrement que le cordon d'alimentation, la fiche d'alimentation et l'appareil ne sont pas endommagés. N'utilisez jamais l'appareil s'il est endommagé de quelque façon que ce soit ou s'il fonctionne mal. Cessez immédiatement d'utiliser l'appareil et rendez-vous sur Vitamix.com ou appelez le service à la clientèle de Vitamix au 1 800 848-2649 (International 1 440 235-4840) ou envoyez un courriel à l'adresse service@vitamix.com pour un examen, une réparation ou un réglage.
36. L'entretien, les réparations et le remplacement des pièces doivent être effectués par Vitamix ou par un représentant de service Vitamix autorisé.
37. **CONSERVEZ CES INSTRUCTIONS.**

COMMANDES



COMMANDES



 ATTENTION	
	<p>LES LAMES SONT EXTRÊMEMENT TRANCHANTES Manipulez-les avec une extrême prudence pour éviter les blessures.</p>
	<p>POUR PRÉVENIR LES DOMMAGES ET LES BLESSURES N'utilisez jamais un mélangeur à main dans un récipient Vitamix équipé d'un ensemble de lames. Soyez prudent lorsque vous mélangez dans un récipient en verre, une casserole, une poêle ou sur la cuisinière. NE détachez jamais la baguette ou le fouet de la base du moteur lorsque l'appareil est branché. Débranchez l'appareil avant de retirer les accessoires.</p>

1. Assurez-vous que le moteur du mélangeur à main est débranché.
2. Fixez l'ensemble du moteur à la baguette ou au fouet en alignant les canaux et en tournant d'un quart de tour dans le sens inverse des aiguilles d'une montre jusqu'à ce que vous entendiez l'unité s'enclencher.

REMARQUE : N'utilisez JAMAIS de hachoir avec ce produit.

ATTENTION! Soyez prudent lorsque vous mélangez dans un récipient en verre, une casserole ou une poêle. Retirez la casserole du feu avant de mixer.

3. Placez les aliments à transformer dans un bol, un récipient, une tasse ou une casserole suffisamment grands.

REMARQUE : le récipient ne doit être rempli qu'à moitié ou moins lorsque vous mélangez des liquides ou que vous préparez une purée de fruits et/ou de légumes.

AVERTISSEMENT! POUR ÉVITER LES DOMMAGES ET LES BLESSURES! N'utilisez JAMAIS un mélangeur à main dans un récipient de mélange Vitamix avec un assemblage de lames.

4. Brancher le cordon d'alimentation dans une prise de courant.
5. Abaissez l'arbre à mélanger dans le récipient contenant les ingrédients. Veillez à ce que la tige à mélanger ou le fouet soient complètement immergés dans les ingrédients. Immergez l'arbre au maximum aux deux tiers de sa longueur. N'IMMERGEZ JAMAIS le corps du moteur dans les ingrédients.

REMARQUE : Lorsque vous commencez à mixer, en particulier avec des ingrédients chauds, commencez TOUJOURS à faible vitesse, puis augmentez la vitesse pour éviter les éclaboussures et le surtraitement. Utilisez un récipient haut ou préparez de petites quantités pour réduire les éclaboussures. N'utilisez JAMAIS le mélangeur à main pendant plus de trois (3) minutes en continu.

6. Appuyez sur le bouton Marche/Arrêt et maintenez-le enfoncé pour commencer à mélanger à la vitesse 1. Tournez le cadran de sélection de la vitesse pour passer à la vitesse 2. Relâchez le bouton Marche/Arrêt à tout moment pour arrêter le mélange.
7. Déplacez lentement le mélangeur à main dans les ingrédients pour obtenir les meilleurs résultats possibles.
8. Pour arrêter, relâchez le bouton marche/arrêt. Laissez le batteur ou le fouet s'arrêter complètement avant de retirer le mélangeur à main du récipient à mélanger.



MISE EN GARDE

- N'utilisez JAMAIS de méthodes de nettoyage non approuvées et non conformes à ces instructions, afin d'éviter d'endommager le produit.
- N' utilisez jamais de produits de nettoyage abrasifs, d'eau de Javel concentrée, de détergents pour lave-vaisselle, de nettoyants pour four, de laine d'acier ou d'autres tampons abrasifs.
- NE mettez JAMAIS le cordon d'alimentation, la fiche d'alimentation ou le corps du moteur dans l'eau ou dans un autre liquide.
- NE nettoyez JAMAIS l'appareil avec un jet d'eau.
- NE laissez jamais les lames à mélanger tremper dans l'eau pendant de longues périodes.
- Veillez à ce qu'il ne reste pas d'eau à l'intérieur de l'embout mélangeur ou du fouet, afin d'éviter que de l'eau ne s'écoule dans le corps du moteur lorsque vous le remettez en place.
- Débranchez le mélangeur, et essorez l'excédent d'eau du chiffon ou de l'éponge lorsque vous nettoyez les commandes ou toute partie électrique.
- La base du moteur et les accessoires NE PEUVENT PAS être lavés au lave-vaisselle.

Nettoyage à l'eau

1. Retirez la baguette à mélanger ou le fouet de l'assemblage du moteur.
2. Lavez à l'eau chaude savonneuse, rincez et séchez soigneusement.

REMARQUE : la base du moteur et les accessoires NE PEUVENT PAS être lavés au lave-vaisselle.

3. Essuyez l'ensemble du moteur avec un chiffon légèrement imbibé d'eau chaude savonneuse.
4. Essuyez avec une serviette propre pour enlever les résidus de savon.

Assainissez à l'eau de Javel ou au vinaigre

1. Suivez d'abord les instructions du "Nettoyage à l'eau".
2. Lavez le batteur ou le fouet dans 1,5 cuillère à café (7,4 ml) d'eau de Javel ou d'eau de Javel pour 2 litres (1,9 l) d'eau OU dans 473 ml de vinaigre pour 473 ml d'eau.
3. Laissez l'accessoire reposer dans la solution pendant une minute et demie supplémentaire.
4. Versez le mélange d'eau de Javel ou de vinaigre.
5. Laissez l'accessoire sécher à l'air libre. NE RINCEZ PAS après la désinfection.

DÉPANNAGE

Si l'appareil ne fonctionne pas ou fonctionne par intermittence :

- Veillez à ce que le bouton d'alimentation soit enfoncé en permanence pendant l'utilisation.
- Débranchez l'appareil et rebranchez-le pour le réinitialiser.
- Si l'erreur persiste, communiquez avec le service à la clientèle de Vitamix au 800 848-2649.

Garantie complète de la machine de 2 ans

RESTRICTION IMPORTANTE : VITAMIX PEUT LIMITER LE SERVICE DE GARANTIE DE SES PRODUITS AU PAYS OÙ VITAMIX OU SES DISTRIBUTEURS AGRÉÉS ONT VENDU LE PRODUIT.

- L'utilisation de ses produits ne recommande pas le pays où ces produits ont été vendus et conçus pour être utilisés.
- Nos produits sont approuvés et certifiés normes de sécurité propres à chaque pays.
- - Chaque pays peut exiger une tension et une fréquence, un câble d'alimentation et une prise différents pour le même produit.
- Le service après-vente peut ne pas être disponible en dehors du pays où Vitamix ou l'un de ses distributeurs agréés a vendu un produit à l'origine, car nos distributeurs agréés et nos techniciens de réparation stockent des pièces de réparation qui peuvent être spécifiques à un pays.

1. Garantie du produit.

Pour vérifier la garantie, communiquez avec le distributeur/prestataire de services agréé Vitamix dans votre pays en visitant le site https://www.vitamix.com/vr/en_us/international-support.

2. Qui peut bénéficier de la garantie?

Cette garantie est accordée par Vitamix au propriétaire de cet appareil pour un usage domestique personnel uniquement. Cette garantie ne s'applique pas aux produits utilisés à des fins commerciales, de location ou de revente. Si la propriété de Vitamix change pendant la période de garantie, veuillez fournir au nouveau propriétaire une copie du reçu original pour pouvoir vérifier la date de début de la garantie.

3. Qu'est-ce qui est couvert?

Vitamix garantit au propriétaire que si cet appareil (un "appareil" comprend la base du moteur et la baguette de mélange achetée ensemble) tombe en panne dans les 2 ans, ou si le fouet et le pot de mélange tombent en panne dans les 2 ans, à compter de la date d'achat ou de la date de livraison, selon ce qui est permis par la loi, en raison d'un défaut de matériau ou de fabrication ou de l'usure normale résultant d'une utilisation domestique ordinaire, le distributeur/prestataire de services ménagers Vitamix agréé réparera gratuitement l'appareil ou la pièce de l'appareil défectueux dans les 30 jours suivant la réception de l'appareil retourné.

Si, à la seule discrétion de Vitamix, l'appareil défectueux ou un composant de l'appareil ne peut être réparé, le distributeur/prestataire de services ménagers Vitamix agréé choisira de remplacer gratuitement l'appareil par le même modèle ou le modèle le plus proche si le modèle d'origine n'est plus disponible à l'achat. Dans ce cas, la date de début de la garantie reste la même que la date d'achat du Vitamix original.

4. Ce qui n'est pas couvert.

- La présente garantie ne s'applique pas aux appareils utilisés à des fins commerciales ou non domestiques.
- Cette garantie n'est valable que si l'appareil est utilisé et entretenu conformément aux directives, aux mises en garde et aux mesures de sécurité contenues dans le guide d'utilisation. Cette garantie ne couvre pas les dommages causés par des accidents (ex : corps étranger dans le contenant pendant le mélange, chute de l'unité ou du récipient, etc.).
- Cette garantie ne couvre pas les dommages résultant de l'utilisation de l'appareil en dehors du pays où il a été vendu et construit pour être utilisé, et le service de garantie peut être limité au pays où Vitamix ou ses distributeurs ont initialement vendu l'appareil.
- Elle ne couvre pas les changements d'ordre esthétique qui n'affectent pas la performance, comme la décoloration, les rayures ou l'effet de l'usage d'abrasifs ou de nettoyeurs, ou des accumulations de nourriture.

Récipients : Broyer certaines herbes et épices dans le récipient ou la tasse peut causer des rayures esthétiques sur le récipient ou la tasse et provoquer l'usure prématurée des lames. Des traces de sable et d'herbes grossières, granuleuses et abrasives provoqueront également l'usure prématurée des lames. Les herbes peuvent contenir des huiles volatiles et, puisque le récipient et la tasse peuvent retenir les huiles, celles-ci peuvent entraîner une décoloration permanente. Dans ces conditions, le récipient, la tasse et les lames ne sont pas couverts par la garantie Vitamix.

Vitamix ne sera pas responsable du coût de toutes réparations non autorisées. Votre Vitamix ne peut être entretenu ou réparé que par un distributeur ou un fournisseur de services Vitamix autorisé.

GARANTIE ET SERVICE

LA RÉPARATION, LE REMPLACEMENT OU LE REMBOURSEMENT DU PRIX D'ACHAT SONT LES RECOURS EXCLUSIFS DE L'ACHETEUR ET LA SEULE RESPONSABILITÉ DE VITAMIX ET DE SES DISTRIBUTEURS AUTORISÉS EN VERTU DE CETTE GARANTIE. AUCUN EMPLOYÉ OU REPRÉSENTANT DE VITAMIX OU DE L'UN DE SES DISTRIBUTEURS AUTORISÉS N'EST EN MESURE D'APPORTER UNE GARANTIE SUPPLÉMENTAIRE OU TOUTE MODIFICATION À CETTE GARANTIE QUI POURRAIT ENGAGER VITAMIX. PAR CONSÉQUENT, L'ACHETEUR NE PEUT INVOQUER TOUTE AFFIRMATION FAITE PAR UN EMPLOYÉ OU UN REPRÉSENTANT DE VITAMIX OU DE L'UN DE SES DISTRIBUTEURS AUTORISÉS. EN AUCUN CAS, QUE CE SOIT SUR LA BASE D'UN CONTRAT, D'UNE INDEMNITÉ, D'UNE GARANTIE, D'UN DÉLIT (Y COMPRIS LA NÉGLIGENCE), DE LA RESPONSABILITÉ STRICTE OU AUTREMENT, VITAMIX NE SERA RESPONSABLE DE QUELQUE DOMMAGE PARTICULIER, INDIRECT, ACCESSOIRE OU CONSÉCUTIF, Y COMPRIS, SANS RESTRICTIONS, LA PERTE D'UN PROFIT OU D'UN REVENU.

REMARQUE : Si votre Vitamix a besoin d'être réparé mais qu'il n'est pas couvert par les directives de la garantie, il peut quand même être réparé à vos frais (réparation et expédition). Contactez le distributeur/fournisseur de services domestiques Vitamix agréé dans votre pays en visitant le site https://www.vitamix.com/vr/en_us/international-support. Pour l'assistance ou les ventes Vitamix Household, appelez le 800.848.2649 ou le +1.440.235.4840 (international) ou envoyez un courriel à service@vitamix.com.

5. Qu'est-ce qui annule cette garantie ?

- L'utilisation abusive, inappropriée ou inappropriée, l'altération de l'appareil, l'exposition à des conditions anormales ou extrêmes et le non-respect des instructions d'utilisation contenues dans ce guide annulent la présente garantie.
- La présente garantie s'annule également si des réparations sont effectuées sur l'appareil ou l'une de ses composantes par une autre personne ou entité que Vitamix ou un fournisseur de service autorisé par Vitamix, ou si une composante qui n'est pas expressément utilisée en combinaison avec un moteur ou un récipient qui n'est pas expressément expressément Vitamix par la présente garantie est utilisée en combinaison avec un moteur et le récipient Vitamix qui n'est pas n'est pas l'est expressément expressément
- La garantie est annulée lorsque l'appareil est utilisé avec un transformateur ou un adaptateur pour convertir la tension.

6. Comment obtenir un service de garantie.

Communiquez avec le distributeur/fournisseur de services domestiques Vitamix agréé de votre pays pour obtenir de l'aide sur l'entretien de votre Vitamix. Pour obtenir la liste des distributeurs Vitamix, rendez-vous sur https://www.vitamix.com/vr/fr_fr/international-support.



Vita-Mix® Corporation

8615 Usher Road

Cleveland, Ohio, 44138-2103, É.-U.

[Vitamix.com](https://www.vitamix.com)

©2023 Vita-Mix® Corporation. Aucune partie de cette publication ne peut être reproduite ou transmise sous quelque forme que ce soit ou stockée dans une base de données ou un système de récupération sans l'autorisation écrite de Vita-Mix® Corporation.



Comience aquí

GUÍA DE INTRODUCCIÓN
y MANUAL DEL PROPIETARIO





¡Nos entusiasma unirnos a usted en su recorrido hacia los alimentos integrales!

Veamos juntos lo fácil que es preparar comidas saludables y deliciosas con su licuadora de inmersión Vitamix® de 2 velocidades. Cuando esté listo, comencemos.

01

ENSAMBLAJE

Asegúrese de que la licuadora de inmersión esté desenchufada y, a continuación, acople el mango y la vara alineando los canales y dando ¼ de vuelta en el sentido contrario a las agujas del reloj hasta que escuche que la unidad encaja en su sitio.

02

DISEÑE UN SMOOTHIE

Para su primera receta, le recomendamos preparar un smoothie rápido. Consulte el cuadro en la página siguiente para obtener algunas sugerencias deliciosas para comenzar.

03

AGREGUE LOS

INGREDIENTES

Coloque los ingredientes en una taza para smoothies, un tarro Mason de boca ancha de 1 cuarto de galón o cualquier recipiente con una abertura de 3 pulgadas de ancho (o más).

04

LICUAR

Sumerja la licuadora de inmersión debajo de la superficie del líquido o lo más cerca posible de los ingredientes. Encienda la licuadora en la velocidad más baja y luego increméntela rápidamente hasta llegar a la máxima. Mueva la licuadora de inmersión por la mezcla, arriba y abajo, licuando los ingredientes durante alrededor de 1 minuto y medio (o 90 segundos) o hasta obtener la consistencia deseada.

05

LO HICISTE

Esa textura suave que está disfrutando es la diferencia que hace Vitamix. Saboree sus deliciosos alimentos integrales: se lo merece.

¡Felicidades! ¡Ha terminado su primera mezcla!

06

LAVADO

Llene un tarro con dos tazas de agua y añada unas gotas de jabón para platos. Sumerja la campana y las aspas. Seleccione la velocidad más baja. Ponga en marcha la licuadora de inmersión y licúe durante 15-20 segundos. Apague y enjuague.

07

ALMACENAMIENTO

Desenchufe la licuadora de inmersión y luego gire ¼ de vuelta en el sentido de las manecillas del reloj para desprender el mango y la varita. ¡Guárdela hasta su próximo uso!

08

COMPÁRTALO CON NOSOTROS

A medida que prepare mezclas más grandes y complicadas, siempre estamos aquí para ofrecerle ayuda y animarlo.

Llámenos al **1-800-Vitamix**, envíenos un correo electrónico a **service@vitamix.com** o comuníquese con nosotros a través de las redes sociales en **@Vitamix**.

01.

ELIJA 2 FRUTAS + VERDURAS:

- 1 manzana, cortada en cubos pequeños
- 1 taza de fresas
- 1 taza de arándanos
- 1 taza (8 onzas) de uvas
- 1 naranja pelada
- 1 taza (8 onzas) de melón pelado
- 1 taza (8 onzas) de piña
- 1 plátano pelado
- 1 taza de trozos de zanahoria
- 1 taza (8 onzas) de duraznos
- 1 taza (8 onzas) de mango pelado
- ½ taza (4 onzas) de papaya pelada
- 1 tallo de apio
- ½ taza (4 onzas) de pepino

02.

ELIJA 1 VERDURA DE HOJA: *(opcional)*

- 1 taza de espinacas
- 1 taza (8 onzas) de col rizada
- ¼ cabeza de lechuga romana
- ½ corazón de lechuga romana
- ¼ taza de brócoli crudo
- ½ cabeza pequeña de lechuga Bibb o lechuga Boston

**Si prefiere un smoothie más fresco y espeso, agregue ½ taza de cubos de hielo.*

03.

ELIJA 1 LÍQUIDO:

- 1 taza de leche de soya
- 1 taza de leche de almendras
- 1 taza de leche de nuez de la india
- 1 taza de yogur
- 1 taza (8 onzas) de jugo de fruta
- 1 taza (8 onzas) de agua

Agregar ingredientes:

Para obtener los mejores resultados, agregue los ingredientes en el orden recomendado a continuación.

LÍQUIDOS

FRUTAS + VEGETALES

VERDURAS DE HOJA

ALIMENTOS SECOS
*(granos, condimentos,
productos en polvo)*

HIELO + INGREDIENTES
CONGELADOS
INGREDIENTES



Jarra de 4 tazas o de 1 cuarto de galón

*Tenga cuidado al licuar en una jarra de vidrio, olla o sartén.
Retire las ollas y sartenes del fuego antes de licuar.*

*Desde el refrigerio hasta la hora de comer, es fácil preparar sus mezclas favoritas en sus jarras preferidas. *
Estas son algunas sugerencias, ¡pero experimente para encontrar lo que más le guste!*



MEZCLA EN UNA OLLA PARA COCINAR

1. Coloque la licuadora de inmersión en el centro de la olla.
2. Sumerja la licuadora de inmersión debajo de la superficie del líquido, pero por encima de la base de la olla.
3. Seleccione la velocidad más baja.
4. Presione Iniciar y aumente a alta velocidad.
5. Licúe durante 35 a 40 segundos o hasta obtener la consistencia deseada.



MEZCLA EN UNA JARRA PARA SMOOTHIES

1. Coloque todos los ingredientes en un recipiente del tamaño adecuado, con una abertura de al menos 3" de ancho.
2. Agregue los ingredientes al vaso en el orden indicado.
3. Sumerja la licuadora de inmersión debajo de la superficie del líquido o lo más cerca posible de los ingredientes.
4. Seleccione la velocidad más baja. Encienda la licuadora de inmersión e incremente la velocidad hasta llegar a la máxima.
5. Mueva la licuadora de inmersión, hacia arriba y hacia abajo, y licúe los ingredientes durante aproximadamente 1 minuto 30 segundos (o 90 segundos) o hasta obtener la consistencia deseada.



BATA EN UN TAZÓN

1. Coloque todos los ingredientes en un recipiente de tamaño adecuado, idealmente un tazón hondo con paredes altas.
2. Agregue los ingredientes al tazón en el orden indicado.
3. Coloque el batidor en el tazón, idealmente apoyándolo en la parte inferior del tazón.
4. Seleccione la velocidad más baja. Encienda la licuadora de inmersión. Aumente la velocidad como sea necesario para obtener la consistencia deseada. Los líquidos más finos se batan mejor en la posición más baja hasta que se vuelvan más espesos.
5. Mueva la licuadora de inmersión, manteniendo el accesorio para batir en los ingredientes hacia el fondo del tazón. Si necesita sacar el accesorio para batir del recipiente, asegúrese de detener la licuadora de inmersión por completo para minimizar las salpicaduras.



ESTAMOS AQUÍ PARA USTED

Nos encanta conectar con usted y compartir consejos, trucos y ayuda a lo largo del camino. Únase a nosotros en las redes sociales y comparta sus mezclas favoritas usando **#Vitamix**.

¿Tiene preguntas? Llámenos al 1-800-Vitamix o visite [vitamix.com](https://www.vitamix.com).



Explore más

Visite [Vitamix.com](https://www.vitamix.com) para ver más recetas y videos. Descubra lo fácil que es preparar una sopa saludable (y deliciosa), comida para bebé, salsas, dips y mucho más!



LICUADORA DE INMERSIÓN DE 2 VELOCIDADES

VM0226

SÍMBOLOS

	Advertencia y precaución		Encendido/apagado
	NUNCA toque las piezas móviles. Mantenga las manos y los utensilios alejados del ensamblaje de las aspas.		Peligro de descarga eléctrica
	Al licuar líquidos calientes, se alcanzan altas temperaturas.		Leer y entender el Manual del propietario.
	Desconecte el aparato cuando no esté en uso y antes de limpiarlo, cambiar accesorios o tocar piezas móviles.		
	Las piezas se calentarán con un uso prolongado. NUNCA toque la toma de la unidad en el motor de inmersión ni el eje estriado de la unidad en el conector de fijación.		

ESPECIFICACIONES

Voltaje:	120 V	Altura:	17.75 pulgadas/45.1 cm
Frecuencia:	60 Hz	Profundidad:	3.25 pulgadas/8.3 cm
Potencia (máx.):	350 vatios	Ancho:	2.50 pulgadas/6.4 cm

Patente de EE. UU.: vitamix.com/patents



VITA-MIX® CORPORATION

8615 Usher Road, Cleveland, Ohio 44138 EUA

Teléfono (international): 1-440-235-4840

Soporte técnico: 1-800-848-2649

Correo electrónico: service@vitamix.com

MEDIDAS DE SEGURIDAD IMPORTANTES



ADVERTENCIA



Lea atentamente todas las instrucciones antes de utilizar el aparato por primera vez. Guarde estas instrucciones para referencia futura.

SIEMPRE utilice tomas de corriente con conexión a tierra.

NUNCA quite la conexión a tierra.

NUNCA use un adaptador.

NUNCA utilice un cable de extensión.

NUNCA conecte el aparato a un temporizador o a un tomacorriente controlado por un interruptor.



SIEMPRE apague Y desenchufe el aparato cuando no esté en uso y antes de ensamblarlo, desmontarlo, moverlo, limpiarlo y almacenarlo.



NUNCA coloque el cable de alimentación, el enchufe o la estructura del motor en agua ni en ningún otro líquido.

Si el aparato se sumerge, desenchúfelo inmediatamente.

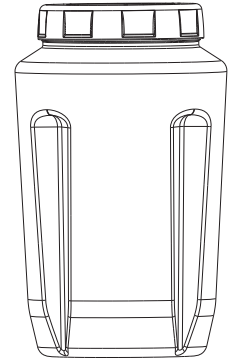
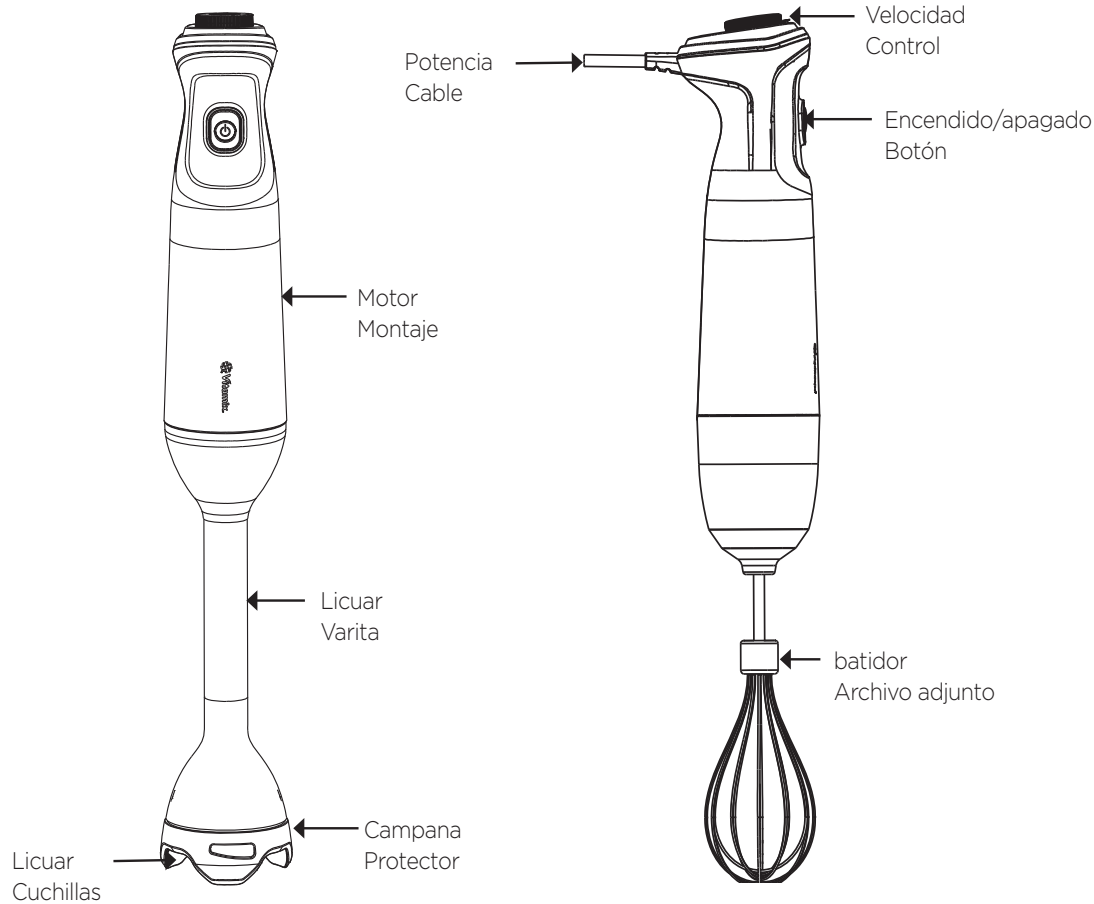
El no seguir las instrucciones puede provocar una descarga eléctrica e incluso la muerte.

1. EL NO SEGUIR CUALQUIERA DE LAS MEDIDAS DE SEGURIDAD E INSTRUCCIONES IMPORTANTES PARA UN USO SEGURO SE CONSIDERA UN USO INCORRECTO DE SU LICUADORA VITAMIX, LO QUE PODRÁ ANULAR SU GARANTÍA Y OCASIONAR UN RIESGO DE LESIONES GRAVES.
2. Las instrucciones que aparecen en este manual no pueden cubrir todas las condiciones y situaciones que pueden producirse. Cuando se utiliza cualquier aparato, hay que hacerlo con sentido común y con las debidas precauciones.
3. Este electrodoméstico no está diseñado para ser utilizado por personas (incluidos niños) con discapacidades físicas, sensoriales o mentales, o que no tengan la experiencia ni los conocimientos necesarios, a menos que sean supervisadas por la persona responsable de su seguridad o hayan recibido instrucciones sobre el uso del aparato y comprendan los peligros que este conlleva.
4. NUNCA permita que los niños utilicen el aparato o jueguen con él. Mantenga el cable fuera del alcance de los niños.
5. Retire y deseche los materiales de embalaje, la cubierta del enchufe y las etiquetas promocionales antes de usar el aparato por primera vez.
6. NUNCA desconecte el aparato jalando el cable. Para desconectar el aparato, sujete la clavija y quítela de la toma de corriente.
7. NUNCA entre en contacto con las partes móviles, especialmente con las aspas para licuar.
8. NUNCA utilice el aparato con las aspas sueltas, melladas o dañadas. Revise las aspas diariamente y reemplácelas si están dañadas antes de seguir utilizándolas.
9. NUNCA coloque el aparato encima ni cerca de quemadores eléctricos o de gas calientes, ni donde pueda tocar cualquier otra fuente de calor.
10. Esta máquina tiene un enchufe polarizado (un aspa es más ancha que la otra). Para reducir el riesgo de descarga eléctrica, este enchufe cabe en un tomacorriente polarizado de una sola manera. Si el enchufe no cabe completamente en el tomacorriente, invierta el enchufe. Si aún no encaja, comuníquese con un electricista calificado. NUNCA modifique el enchufe de ninguna manera.
11. NUNCA deje que el cable de alimentación cuelgue del borde de una mesa o mostrador, toque superficies calientes o se anude.
12. Antes de su uso, verifique SIEMPRE que el aparato esté completa y correctamente ensamblado y que el cable esté completamente desenrollado.
13. Las aspas para licuar son muy filosas. Manipule el aparato con cuidado y manténgalo fuera del alcance de los niños.
14. La alteración o modificación de cualquiera de las piezas del aparato, incluido el uso de partes no autorizadas originalmente por Vitamix, podría causar un incendio, una descarga eléctrica o una lesión ocasionando la anulación de su garantía.

MEDIDAS DE SEGURIDAD IMPORTANTES

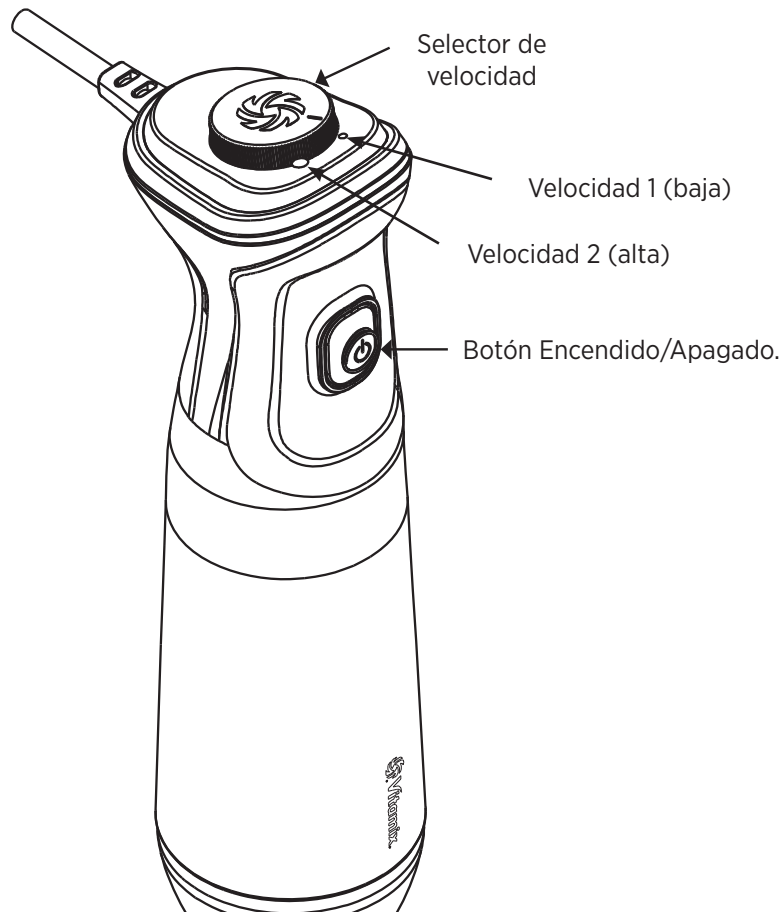
15. NUNCA utilice accesorios que no sean los proporcionados con el aparato, incluidos los que ofrece Vitamix por separado, con este producto. El uso de accesorios no recomendados por Vitamix puede causar incendios, descargas eléctricas o lesiones, y anulará su garantía.
16. NUNCA utilice accesorios para picar con este producto.
17. SIEMPRE verifique que el aparato esté desconectado de la toma de corriente antes de colocar cualquier accesorio.
18. Si usa el aparato para licuar alimentos calientes, mantenga las manos y otras partes de su cuerpo expuestas lejos de la abertura de la tapa y use el ajuste de velocidad más bajo para evitar quemaduras por escape de vapor o salpicaduras.
19. Se debe tener mucho cuidado al mover una máquina o recipiente lleno de aceite caliente u otros líquidos calientes. Las salpicaduras o salida de vapor pueden provocar quemaduras.
20. NUNCA toque superficies que puedan estar calientes.
21. Si, durante el uso, el sonido del aparato cambia o un objeto sólido o extraño entra en contacto con las aspas para licuar, NO sirva el alimento que se está preparando con el aparato.
22. NUNCA retire los ingredientes del aparato durante la operación. Asegúrese de que el motor se haya detenido por completo y que el aparato esté desenchufado antes de retirar los ingredientes.
23. Si se atascan alimentos alrededor de las aspas para licuar, suelte el interruptor, desconecte el cable de alimentación y extraiga el accesorio de la estructura del motor. Use una espátula para retirar la comida. NUNCA utilice los dedos, ya que las aspas son filosas.
24. NUNCA use la licuadora de inmersión durante más de tres (3) minutos de forma continua.
25. Mantenga las manos, el cabello, la ropa y los utensilios alejados de todas las piezas móviles durante la operación para reducir el riesgo de lesiones graves a personas y/o daños al aparato. Se puede usar una espátula, pero solo cuando el aparato no esté en funcionamiento.
26. NUNCA deje ningún objeto extraño, como cucharas, tenedores o cuchillos, en el vaso, ya que esto dañará las aspas y otros componentes al poner en marcha la licuadora, y podría ocasionar alguna lesión.
27. Si la mezcla no se licúa al mezclar mezclas secas, espesas o pesadas, detenga el funcionamiento y revuelva los ingredientes antes de continuar. Deje enfriar el motor durante 1 minuto antes de volver a encender el aparato.
28. Siga estrictamente las instrucciones de cuidado y limpieza proporcionadas en este manual. La base del motor y los accesorios NO son aptos para lavavajillas.
29. NO permita nunca que las aspas para licuar se remojen en agua durante largos períodos.
30. NUNCA utilice el aparato para otro fin que no sea para el que fue previsto.
31. NUNCA lo use en exteriores ni en vehículos o barcos en movimiento.
32. NUNCA abandone el área de trabajo cuando el aparato esté en uso.
33. Tenga cuidado al licuar en una jarra de vidrio, olla, sartén, o sobre la estufa.
34. Al mezclar líquidos, especialmente líquidos calientes, use una jarra alta o haga pequeñas cantidades a la vez para reducir los derrames.
35. Inspeccione periódicamente el cable de alimentación, el enchufe y el aparato para detectar posibles daños. NO lo use si presenta daños o mal funcionamiento. Deje de usar la máquina de inmediato y visite Vitamix.com o llame al Servicio de Atención al Cliente de Vitamix al 1-800-848-2649 (internacional: 1-440-235-4840) o escriba a service@vitamix.com para una revisión, reparación o ajuste.
36. Cualquier reparación, servicio o reemplazo de piezas deberá ser realizado por Vitamix o por un representante de servicio autorizado por Vitamix.
37. **GUARDE ESTAS INSTRUCCIONES.**

CONTROLES



Vaso para licuadora de inmersión
(no incluido en todos los modelos)

CONTROLES



 <h2 style="margin: 0;">ADVERTENCIA</h2>	
	<p>LAS ASPAS SON EXTREMADAMENTE AFILADAS Manipúlelas con sumo cuidado para evitar lesiones.</p>
	<p>PARA EVITAR DAÑOS Y LESIONES NUNCA utilice una licuadora de inmersión en un vaso Vitamix con un ensamblaje de las aspas. Tenga cuidado al licuar en una jarra de vidrio, olla, sartén, o sobre la estufa. NUNCA separe la varita o el accesorio para batir de la base del motor mientras la unidad esté enchufada. Desconecte la unidad antes de quitar los accesorios.</p>

1. Asegúrese de que el motor de la licuadora de inmersión esté desconectado.
2. Acople la unidad del motor a la varita mezcladora o al accesorio para batir alineando los canales y dando un cuarto de vuelta en sentido contrario a las manecillas del reloj hasta que oiga que la unidad encaja en su sitio.

NOTA: NUNCA utilice accesorios para picar con este producto.

¡ADVERTENCIA! Tenga cuidado al licuar en una jarra de vidrio, olla o sartén. Retire la olla/sartén del fuego antes de licuar.

3. Coloque los alimentos que se van a procesar en un tazón, jarra, taza o cacerola lo suficientemente grande.

NOTA: La jarra se debe llenar solo a la mitad de su capacidad o menos al licuar líquidos o al preparar puré de frutas o verduras.

¡ADVERTENCIA! PARA EVITAR DAÑOS Y LESIONES, NUNCA use una licuadora de inmersión en una jarra para licuar Vitamix con un ensamblaje de aspas.

4. Conecte el cable de alimentación a una toma de corriente.
5. Baje el eje mezclador en la jarra con los ingredientes. Asegúrese de que la varita mezcladora o el accesorio para batir estén completamente sumergidos en los ingredientes. Sumerja el eje hasta un máximo de 2/3 de su longitud. NUNCA sumerja la estructura del motor en los ingredientes.

NOTA: Cuando comience a licuar, especialmente con ingredientes calientes, SIEMPRE hágalo a baja velocidad y gradualmente aumente la velocidad para evitar salpicaduras y un sobreprocesamiento. Use una jarra alta o procese pequeñas cantidades para reducir derrames o salpicaduras. NO use la licuadora de inmersión por más de tres (3) minutos de forma continua.

6. Mantenga presionado el botón de encendido/apagado para comenzar a licuar en la velocidad 1. Gire el selector de velocidades para aumentar a la velocidad 2. Suelte el botón de encendido/apagado en cualquier momento para dejar de licuar.
7. Mueva lentamente la Batidora de Inmersión por los ingredientes para conseguir una mezcla óptima.
8. Para dejar de licuar, suelte el botón de encendido/apagado. Deje que la varita mezcladora o el accesorio para batir se detengan por completo antes de retirar la licuadora de inmersión de la jarra.



PRECAUCIÓN

- NUNCA use métodos de limpieza no aprobados que no sean compatibles con estas instrucciones, para evitar daños en el producto.
- NUNCA use productos de limpieza abrasivos, cloro concentrado, detergentes para lavavajillas automáticas, limpiadores de hornos, estropajos de acero ni paños abrasivos.
- NUNCA coloque el cable de alimentación, el enchufe o la estructura del motor en agua ni en ningún otro líquido.
- NUNCA limpie el aparato con chorro de agua.
- NO permita nunca que las espas para licuar se remojen en agua durante largos períodos.
- Asegúrese de que no quede agua dentro del accesorio para batir ni de la varita mezcladora para evitar que el agua entre en la estructura del motor cuando se vuelva a conectar.
- Desconecte la licuadora y escurra el agua del paño o esponja para limpiar los controles o cualquier componente eléctrico.
- La base del motor y los accesorios NO son aptos para lavavajillas.

Limpieza con agua

1. Retire la varita mezcladora o el accesorio para batir del ensamblaje del motor.
2. Lave con agua tibia y jabón, enjuague y seque bien.
NOTA: La base del motor y los accesorios NO son aptos para lavavajillas.
3. Limpie el ensamblaje del motor con un paño ligeramente humedecido con agua tibia y jabón.
4. Seque con una toalla limpia para eliminar los residuos de jabón.

Desinfección con cloro o vinagre

1. Primero siga las instrucciones de "Limpieza con agua".
2. Lave la varita mezcladora y el accesorio para batir con 1.5 cucharaditas (7.4 ml) de cloro doméstico o industrial en 1.9 litros de agua o en 16 onzas (473 ml) de vinagre por cada 16 onzas (473 ml) de agua.
3. Deje el accesorio en la solución durante 1-1/2 minutos más.
4. Vierta la mezcla de cloro o vinagre.
5. Deje que el accesorio se seque al aire. NO lo enjuague después de desinfectarlo.

IDENTIFICACIÓN Y SOLUCIÓN DE PROBLEMAS

Si la unidad no funciona o lo hace de forma intermitente:

- Asegúrese de que el botón de encendido esté completa y continuamente presionado durante el uso.
- Desenchufe la unidad y vuelva a conectarla para reiniciarla.
- Si el error persiste, comuníquese con Servicio al cliente de Vitamix al 800-848-2649.

Garantía total de la máquina por 2 años

* RESTRICCIÓN IMPORTANTE: VITAMIX PUEDE RESTRINGIR EL SERVICIO DE GARANTÍA DE NUESTROS PRODUCTOS AL PAÍS DONDE VITAMIX O SUS DISTRIBUIDORES AUTORIZADOS VENDIERON ORIGINALMENTE EL PRODUCTO.*

- Vitamix no recomienda el uso de nuestros productos fuera del país donde dichos productos se vendieron y se diseñaron para usarse.
- Nuestros productos están aprobados y certificados según las normas de seguridad específicas del país.
- Cada país puede requerir voltaje y frecuencia, cable de alimentación y enchufe diferentes para el mismo producto.
- Es posible que el servicio posventa no esté disponible fuera del país donde Vitamix o cualquiera de sus distribuidores autorizados vendió originalmente un producto, ya que nuestros distribuidores autorizados y técnicos de reparación abastecen piezas que pueden ser específicas para cada país.

1. Garantía del producto.

Para verificar la garantía, póngase en contacto con el distribuidor/proveedor de servicios autorizado de Vitamix en su país. Visite https://www.vitamix.com/vr/en_us/international-support.

2. Quién puede solicitar la cobertura de la garantía.

Vitamix extiende la presente garantía al propietario de este aparato exclusivamente para su uso personal en el hogar. Esta garantía no se aplica para productos usados con fines comerciales, de alquiler o reventa. Si la propiedad de la Vitamix cambia durante el período de garantía, proporcione al nuevo propietario una copia del recibo original para que pueda verificar la fecha de inicio de la garantía.

3. Qué se cubre.

Vitamix garantiza al propietario que si este aparato (un “aparato” consiste en una base de motor y una varita mezcladora adquiridos juntos) falla dentro de los 2 años siguientes a la fecha de compra a la fecha de entrega, lo que ocurra primero según lo permitido por ley debido a defectos de los materiales o de fabricación o como resultado del desgaste habitual por el uso doméstico normal, el distribuidor/proveedor de servicios autorizado de Vitamix reparará de forma gratuita el aparato averiado o la pieza defectuosa en un plazo de 30 días a partir de la recepción del aparato devuelto.

Si, a criterio exclusivo de Vitamix, no se puede reparar el aparato o la pieza defectuosa, el distribuidor/proveedor de servicios autorizado de Vitamix elegirá reemplazar el aparato de forma gratuita por el mismo modelo o por el siguiente modelo más cercano si el modelo original ya no está disponible para su compra. En este caso, la fecha de inicio de la garantía sigue siendo la misma que la fecha de compra de la Vitamix original.

4. Qué no cubre.

- Esta garantía no se aplica a los aparatos usados con fines comerciales o para uso no doméstico.
- Esta garantía solamente será válida si el aparato se utiliza y recibe mantenimiento de acuerdo con las instrucciones, advertencias y medidas de seguridad contenidas en el manual del propietario. Esta garantía no cubre los daños causados por accidentes (por ejemplo, objetos extraños en la jarra mientras se licúa, caída de la unidad o de la jarra, etc.).
- Esta garantía no cubre los daños causados por el uso del aparato fuera del país donde se vendió y se fabricó para usarse, y el servicio de garantía puede estar restringido al país donde Vitamix o sus distribuidores autorizados vendieron originalmente el aparato.
- Esta Garantía no cubre cambios en el aspecto que no afectan el rendimiento, tales como decoloración, rayones o efectos debido al uso de abrasivos o limpiadores o a la acumulación de alimentos.

Vasos: El procesar ciertas hierbas y especias en el vaso podría dar como resultado un maridaje cosmético con el vaso y ocasionar el desgaste prematuro de las cuchillas. Los rastros de arena, granos gruesos y hierbas abrasivas también podrían ocasionar un desgaste prematuro de las cuchillas. Las hierbas pueden contener aceites volátiles y causar que el vaso retenga dichos aceites ocasionando una decoloración permanente. Su vaso y las cuchillas no están cubiertas en la garantía de Vitamix bajo estas circunstancias. Vitamix no se hará responsable del costo de las reparaciones no autorizadas en la garantía. Su Vitamix solo puede ser reparada o recibir mantenimiento en un distribuidor doméstico/proveedor de servicios autorizado de Vitamix.

GARANTÍA Y SERVICIO

LA REPARACIÓN, REEMPLAZO O REEMBOLSO DEL PRECIO DE COMPRA SON LOS RECURSOS EXCLUSIVOS DEL COMPRADOR Y LA RESPONSABILIDAD EXCLUSIVA DE VITAMIX Y SUS DISTRIBUIDORES AUTORIZADOS EN VIRTUD DE ESTA GARANTÍA. NINGÚN EMPLEADO O REPRESENTANTE DE VITAMIX O DE CUALQUIERA DE SUS DISTRIBUIDORES AUTORIZADOS ESTÁ AUTORIZADO A HACER VÁLIDA NINGUNA GARANTÍA ADICIONAL O MODIFICACIÓN A ESTA GARANTÍA, QUE PUEDE SER VINCULANTE PARA VITAMIX. EN CONSECUENCIA, EL COMPRADOR NO DEBE CONFIAR EN NINGUNA DECLARACIÓN ADICIONAL HECHA POR CUALQUIER EMPLEADO O REPRESENTANTE DE VITAMIX O CUALQUIERA DE SUS DISTRIBUIDORES AUTORIZADOS. VITAMIX EN NINGÚN CASO SERÁ RESPONSABLE DE DAÑOS ESPECIALES, INDIRECTOS, INCIDENTALES O CONSECUENTES, INCLUIDA LA PÉRDIDA DE UTILIDADES O INGRESOS, POR CAUSAS DE CARÁCTER CONTRACTUAL, PECUNIARIO, EXTRA CONTRACTUAL (INCLUIDA LA NEGLIGENCIA), U OBJETIVO O QUE SE RELACIONEN CON UNA GARANTÍA.

NOTA: Si su Vitamix necesita reparación pero esta no entra dentro de las pautas de la garantía, puede repararse asumiendo usted el costo (de reparación y envío). Comuníquese con el distribuidor/proveedor de servicios autorizado de Vitamix en su país a través del sitio https://www.vitamix.com/vr/en_us/international-support. Para comunicarse con el equipo de soporte técnico o ventas para el hogar de Vitamix, llame al 800-848-2649 o al +1-440-235-4840 (internacional), o envíe un correo electrónico a service@vitamix.com.

5. Qué anula esta garantía.

- El maltrato, el uso inapropiado o negligente, la alteración del aparato, la exposición a condiciones anormales o extremas, o no seguir las instrucciones de operación, causarán la anulación de esta garantía.
- Asimismo, esta garantía quedará anulada si las reparaciones al aparato o a cualquier pieza del aparato son efectuadas por alguien más que no sea Vitamix o por un proveedor de servicios no autorizado por Vitamix, o si cualquier pieza del aparato sujeta a esta garantía se utiliza junto con una base de motor o jarra que no hayan sido expresamente aprobados por Vitamix.
- La garantía no es válida cuando el aparato se utiliza con transformadores o adaptadores para convertir el voltaje.

6. Cómo obtener el servicio de garantía.

Póngase en contacto con el distribuidor doméstico/proveedor de servicios autorizado de Vitamix en su país para obtener ayuda con el servicio de su Vitamix. Para obtener una lista de los distribuidores de Vitamix, visite https://www.vitamix.com/vr/en_us/international-support.



Vita-Mix® Corporation

8615 Usher Road

Cleveland, OH 44138 EUA

[vitamix.com](https://www.vitamix.com)

©2023 Vita-Mix® Corporation. Ninguna parte de esta publicación puede ser reproducida o transmitida en cualquier forma o por cualquier medio o almacenada en una base de datos o sistema de recuperación sin el permiso escrito de Vita-Mix® Corporation.